

TORO.

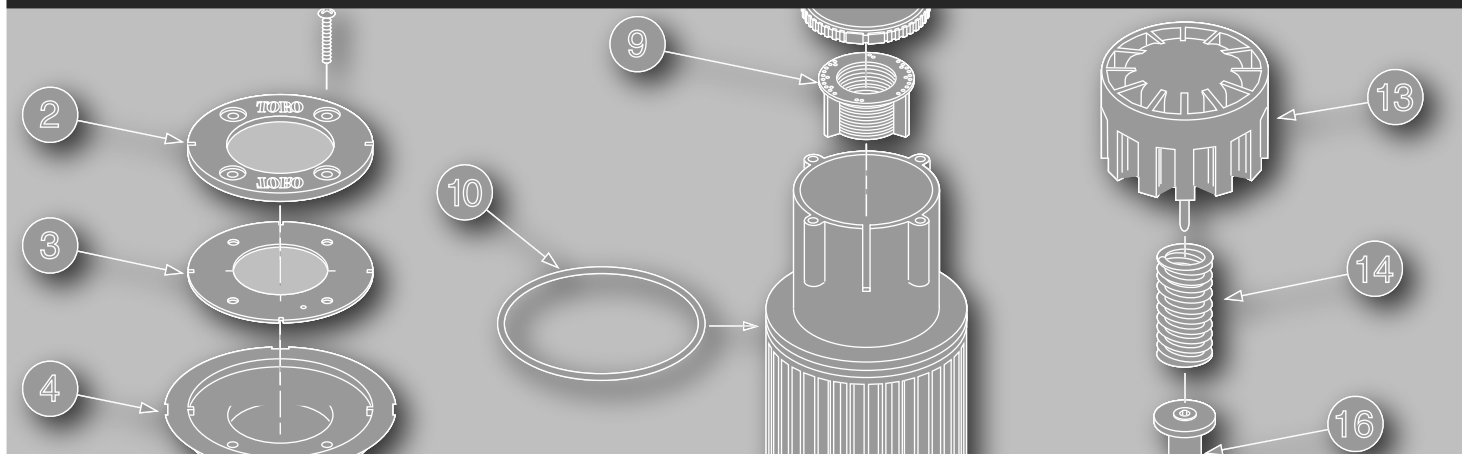
Count on it.

2006

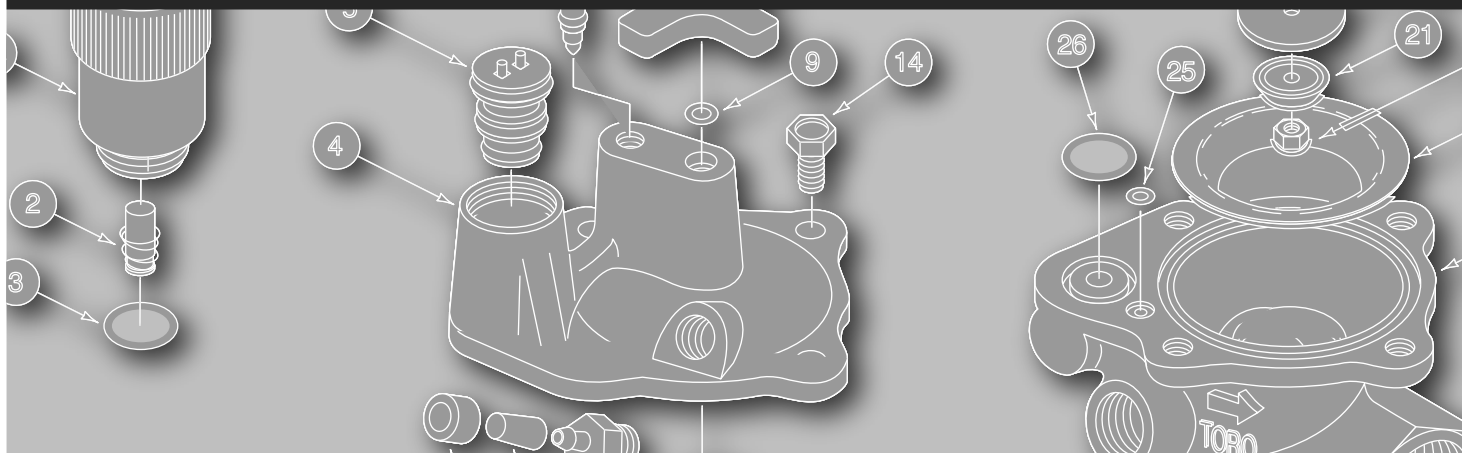
Irrigation Products

Illustrated Parts Breakouts

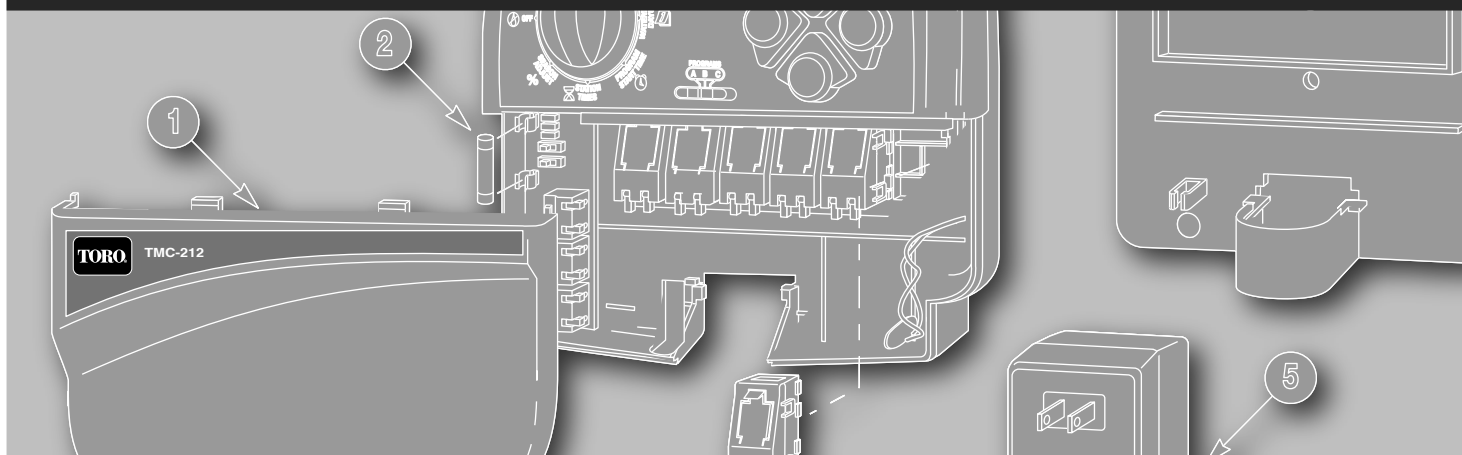
Sprinklers



Valves



Controllers



GENERAL INFORMATION

Please note the following usage guidelines:

- When dashes (- - -) are shown in place of a part number, the part is either not available for sale or not sold separately. Refer to the accompanying Service Items listing for availability.
- An asterisk (*) preceding a part number indicates the item is only available through the Toro Finished Goods Distribution System and must be ordered accordingly.
- This book is updated annually. The published part numbers and descriptions are subject to change. If changes and/or corrections are required, the updated information will be made available through the Toro Distributor Operations Bulletin and/or Tech Tip communications.
- Common abbreviations used within this publication:

| | | | |
|--------|----------------------------------|--------|--------------------------------|
| A | = Ampere | NO | = Normally Open (Micro Switch) |
| Amp | = Ampere | NPT | = National Pipe Thread |
| Assy. | = Assembly | PC | = Part Circle |
| ADJ | = Adjustable | Pot. | = Potentiometer |
| B | = Barbed | PV | = Pilot Valve |
| BSP | = British Standard Pipe | PHPH | = Pan Head Phillips Head |
| COM | = Check-O-Matic | PHFH | = Pan Head Fillister Head |
| CR | = Contamination Resistant | PT | = Pin Type (Hydraulic) |
| CSA | = Canadian Standards Association | PR | = Pressure Regulated |
| EL | = Electric | Prog. | = Program |
| Elec | = Electric | RC | = Rubber Cover |
| Exp | = Export | RPD | = Revolutions Per Day |
| F | = Female | RPM | = Revolutions Per Minute |
| FC | = Full Circle (Sprinkler) | S | = Slip |
| FC | = Flow Control (Valve) | SST | = Stainless Steel |
| GPM | = Gallons Per Minute | SI | = Side Inlet |
| Hyd. | = Hydraulic | Svc | = Service |
| Hz | = Hertz | TM | = Timing Mechanism |
| in. | = Inch | V | = Volts |
| Int. | = Internal | V a.c. | = Volts Alternating Current |
| Int. T | = Internal Tooth | V d.c. | = Volts Direct Current |
| L/ | = Less | VA | = Volt Amps |
| lbs. | = Pounds | VIH | = Valve In Head |
| M | = Male | w/ | = with |
| M/F | = Male/Female | w/o | = without |
| N/I | = Not Indicated | " | = Inches |
| NC | = Normally Closed (Hydraulic) | ' | = Feet |
| NC | = Normally Closed (Micro Switch) | | |
| NO | = Normally Open (Hydraulic) | | |

TABLE OF CONTENTS

Residential/Commercial Sprinklers

| | |
|---|-------|
| 570 Series | |
| 570Z-2P, -3P & -4P, 570Z-PRX-4P & 570Z-XF-4P | 1 |
| 570Z-6P, 570Z-6P-SI, 570Z-PRX-6P & 570Z-XF-6P | 2 |
| 570Z-12P, 570Z-12P-SI, 570Z-PRX-12P & 570Z-XF-12P... .. | 3 |
| 570Z Nozzles | 4-5 |
| 300 Series Stream Rotor | |
| Shrub | 6 |
| Lawn | 7 |
| High-pop | 8 |
| 300/340 Nozzles and Arc Disc Components..... | 9 |
| 340 Series Stream Rotor | |
| Shrub | 10 |
| Lawn | 11 |
| High-pop | 12 |
| XP-300 Series | |
| Shrub | 13 |
| Lawn | 14 |
| High-pop | 15 |
| Super 600® Series | 16 |
| Super 700 Series | |
| Shrub | 17 |
| Lawn | 18 |
| Commercial | 19 |
| High-pop | 20 |
| Super 700 Nozzles | 21 |
| V-1550 Series | |
| Shrub | 22 |
| V-1550-4 | 23 |
| V-1550-12 | 24 |
| TR50 Series | |
| Shrub | 25 |
| Lawn | 26 |
| High-pop | 27 |
| TR50XT Series | |
| Shrub | 28 |
| Lawn | 29 |
| High-pop | 30 |
| TR70P & TR70XT | 31 |
| 640 Series | 32-33 |
| 2001™ Series | 34-35 |
| S2001™ Series | 36-37 |

Large Turf Sprinklers

| | |
|---|-------|
| 720 Series | 40-41 |
| 720 Series Conversion Assembly | 42 |
| 720G | 43 |
| 810G | 44 |
| 830S Series | 46-49 |
| 860S Series | 50-51 |
| 850S Series | 52-55 |
| 880S Series | 56-57 |
| 730 Series | 58-59 |
| 760 Series | 60-61 |
| 650 Series | 62-63 |
| 750 Series | 64-65 |
| 780 Series | 66-67 |
| 780 Series Conversion Assembly | 68-69 |

| | |
|---|-------|
| 670 Series | 70-71 |
| 690 Series | 72-73 |
| Golf Sprinkler Body, 1 Inch | 74-75 |
| Golf Sprinkler Body, 1.5 Inch | 76-77 |
| Pilot Valve | 78 |
| Pilot Valve, Adjustable Pressure | 79 |

Valves

| | |
|--|---------|
| EZ-Flo™ Plus Series Valves | |
| 1 Inch Male | 82 |
| 1 Inch Female..... | 83 |
| 1 Inch Angle..... | 84 |
| 3/4 Inch and 1 Inch AVB..... | 85 |
| 264 Series Plastic Valves | |
| 3/4 Inch | 86 |
| 1 Inch | 87 |
| 254 Series Plastic Valves, 1 Inch | 88 |
| 250 Series Plastic Valves, 1 Inch | 89 |
| 260 Series Plastic Valves, 1 Inch | 90 |
| 252 Series Plastic Valves | |
| 1 Inch | 91 |
| 1.5 Inch | 92-93 |
| 2 Inch | 94-95 |
| P-220 Series Plastic Valves | |
| 1 Inch | 96 |
| 1.5 Inch | 97 |
| 2 Inch | 98 |
| 3 Inch | 99 |
| 220 Series Brass Valves | |
| 1 Inch | 100-101 |
| 1.25 Inch & 1.5 Inch | 102-103 |
| 2 Inch | 104-105 |
| 2.5 Inch & 3 Inch | 106 |
| Flo-Pro® Series Valves | |
| 3/4 & 1 Inch AVB | 107 |
| 1 Inch Female | 108 |
| 1 Inch Male | 109 |
| 1 Inch Angle | 110 |
| 1 Inch Globe | 111 |
| 216 Series Brass Valves | |
| 1 Inch | 112-113 |
| 1.25 Inch & 1.5 Inch | 114-115 |
| 2 Inch | 116-117 |
| 2.5 Inch & 3 Inch | 118-119 |
| Pressure Regulator | 120 |
| 2-way Pilot Valve, 284-60-00 | 121 |
| Manual Actuator, 286-61-01 | 122 |
| 3-way Actuator | |
| 286-66-01 | 123 |
| 286-68-00 | 124 |
| Electric-Hydraulic Converter | 125 |
| Pressure Vacuum Breaker | |
| 3/4 Inch 80-0550 and 1 Inch 80-0560 | 125-127 |
| Flow Gauge | 128 |

TABLE OF CONTENTS

Residential/Commercial Controllers

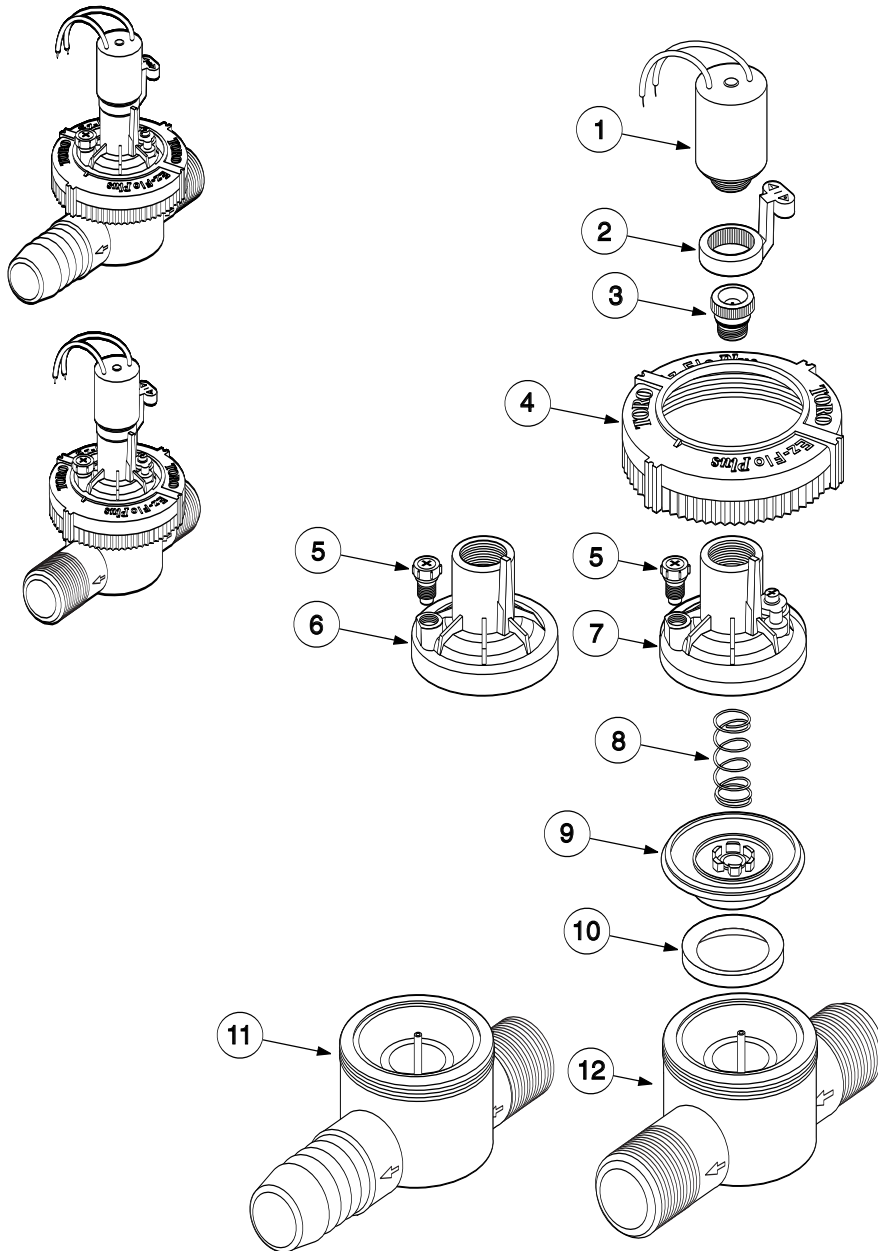
| | |
|---|---------|
| TMC-212, GreenKeeper® 212 | 130 |
| TMC-212, GreenKeeper® 212 Outdoor Cabinet | 131 |
| Turf Pro™ Indoor Cabinet | 132 |
| Turf Pro™ Outdoor Cabinet | 133 |
| TCC-P9–P24, Custom Command™ | |
| Metal Cabinet..... | 134 |
| Plastic Cabinet..... | 135 |
| TCC-M36 & M48, Custom Command™ 36 & 48 | 136 |
| Sentinel™ | |
| Sentinel Central Control System..... | 137 |
| Sentinel Satellite, Wall-mount Cabinet..... | 138 |
| Sentinel Satellite, Pedestal-mount Cabinet..... | 139 |
| Sentinel Remote Transceiver..... | 140 |
| Sentinel Map To Assembly, Wall-mount Cabinet..... | 141 |
| Sentinel Map To Assembly, Pedestal-mount Cabinet..... | 142 |
| GreenKeeper® | 143 |
| Vision® | |
| Vision I – Old-style Cabinet..... | 144–145 |
| Vision I – New-style Plastic Cabinet..... | 146–147 |
| Vision II – Old-style Cabinet..... | 148–149 |
| Vision II – New-style Plastic Cabinet..... | 150–151 |
| Vision II – Metal Cabinet..... | 152–153 |
| Vision II Plus – Plastic Cabinet..... | 154 |
| Vision II Plus – Metal Cabinet..... | 155 |
| XF-416™ | 156 |
| Custom II 8 & 12 | |
| Electric..... | 158–159 |
| Hydraulic..... | 160–162 |
| Timing Mechanism..... | 164–165 |
| C8+1™/C12+1™/C16+2™/C24+2™ | |
| C8+1/C12+1 Electric..... | 166–167 |
| C8+1/C12+1 Hydraulic..... | 168–169 |
| C16+2/C24+2..... | 170–171 |
| C8+1/C12+1 Timing Mechanism..... | 172–173 |
| Monitor® II | |
| Wall Mount Cabinet..... | 174–176 |
| Pedestal Cabinet (Export)..... | 178–179 |
| Pedestal Cabinet (Domestic)..... | 180–181 |
| Timing Mechanism..... | 182–185 |
| Selector Valve Assembly | |
| 11- & 23-Station Pedestal Cabinet..... | 186 |
| 11-Station Wall Mount Cabinet..... | 187 |
| Freetime® | |
| 4-Station Electric..... | 188 |
| 4-Station Hydraulic..... | 189 |
| 4-Station Timing Mechanism..... | 190–191 |
| Golf Controllers | |
| SitePro® Field Interface Unit | 194–195 |
| TouchNet™ for OSMAC® | 196 |
| TouchNet™ for Network LTC® Plus | 197 |
| Network VP® Satellite | |
| Pedestal & Internal Components..... | 198–200 |
| Power Supply Assembly..... | 201 |
| Network 8000® Satellite, Plastic Cabinet | |
| Internal Components..... | 202–203 |
| Pedestal Components..... | 204–205 |
| 24V Output Assembly..... | 206–207 |
| AC/DC Power Supply Assembly..... | 208–209 |
| Power Supply Assembly..... | 210–211 |

| | |
|---|---------|
| Network 8000® Satellite, Metal Cabinet | |
| Large Metal Cabinet..... | 212–215 |
| Small Metal Cabinet..... | 216–219 |
| Control Panel Assembly..... | 220 |
| Note: The Network 8000 Monitor Control Unit (MCU) and Phone Link Concentrator (PLC) are not shown separately. See pp. 215 and 220 for available service items. | |
| Network DR 2™ Satellite | |
| Metal Cabinet (Late Model)..... | 222–223 |
| Plastic Cabinet..... | 224–225 |
| Metal Cabinet (Early Model)..... | 226–227 |
| Network LTC® Satellite | |
| Version 1.0, Wall Mount Cabinet..... | 228–229 |
| Version 1.0, Taper Top..... | 230–231 |
| Version 2.0, Metal Cabinet..... | 232–233 |
| Version 2.0, Plastic Cabinet..... | 234–235 |
| Version 2.0, Power Supply..... | 236–237 |
| Network LTC® Plus Satellite | |
| Common Internal Components..... | 238–239 |
| Plastic Cabinet Components..... | 240 |
| Metal Cabinet Components..... | 241 |
| Power Supply (Early Model)..... | 242 |
| Power Supply (Late Model and E-Series OSMAC)..... | 243 |
| E-Series™ OSMAC® Satellite, Narrow-band | |
| Plastic Cabinet..... | 244 |
| Metal Cabinet..... | 245 |
| Field Interface Components..... | 246 |
| E-Series™ OSMAC® Satellite, Wide-band | |
| Plastic Cabinet..... | 247 |
| Metal Cabinet..... | 248 |
| Field Interface Components..... | 249 |
| OSMAC® Satellite | |
| Small Metal Pedestal Cabinet, Electric..... | 250–251 |
| Small Metal Pedestal Cabinet, Hydraulic..... | 252–253 |
| Large Metal Pedestal Cabinet, Electric..... | 254–255 |
| Large Metal Pedestal Cabinet, Hydraulic..... | 256–257 |
| Plastic Pedestal Cabinet, Electric..... | 258–259 |
| Plastic Pedestal Cabinet, Hydraulic..... | 260–261 |
| OSMAC® RDR Unit, Power Supply Assembly | 262–263 |
| OSMAC® RDR Unit, Model RDR0160LVNO | 264 |
| OSMAC® RDR Unit, Model RDR0160LVCE | 265 |
| Vari-Time® II /Vari-Time® 4000 Satellite | |
| VT II Satellite, Pedestal Cabinet, Electric..... | 266–267 |
| VT II Satellite, Pedestal Cabinet, Hydraulic..... | 268–269 |
| VT 4000 Satellite, Pedestal Cabinet, Electric..... | 270–271 |
| VT 4000 Satellite, Pedestal Cabinet, Hydraulic..... | 272–273 |
| VT 4000 Satellite, Wall Mount Cabinet..... | 274–275 |
| VT II/VT 4000 Timing Mechanism..... | 276–277 |
| Vari-Time® II Central | |
| Central..... | 278–279 |
| Front Panel Assembly..... | 280–281 |
| Central/Syringe Timing Mechanism..... | 282–283 |
| Surge Protection Unit (SPU)..... | 284 |
| Vari-Time® 4000 Central | |
| Central..... | 285 |
| Central Timing Mechanism..... | 286 |
| Syringe Timing Mechanism..... | 287 |

VALVES

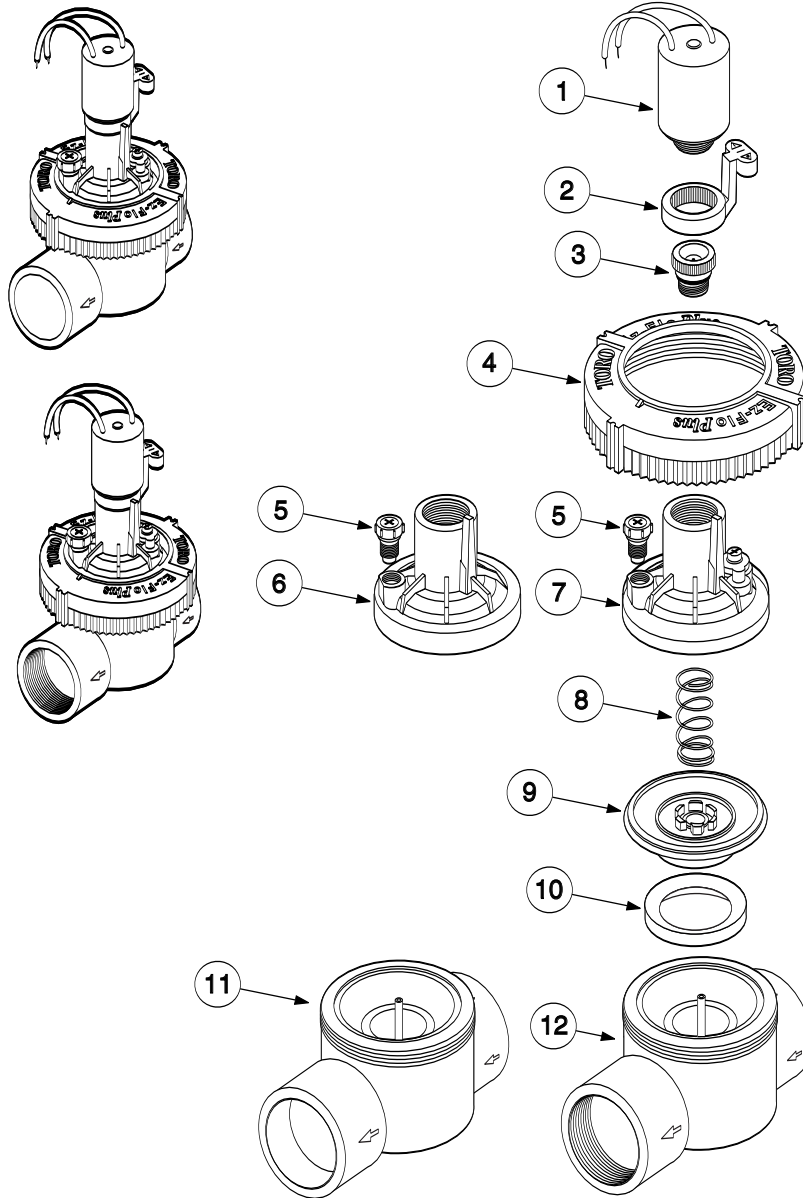
VALVES

EZ-Flo Plus Series, 1 Inch Male



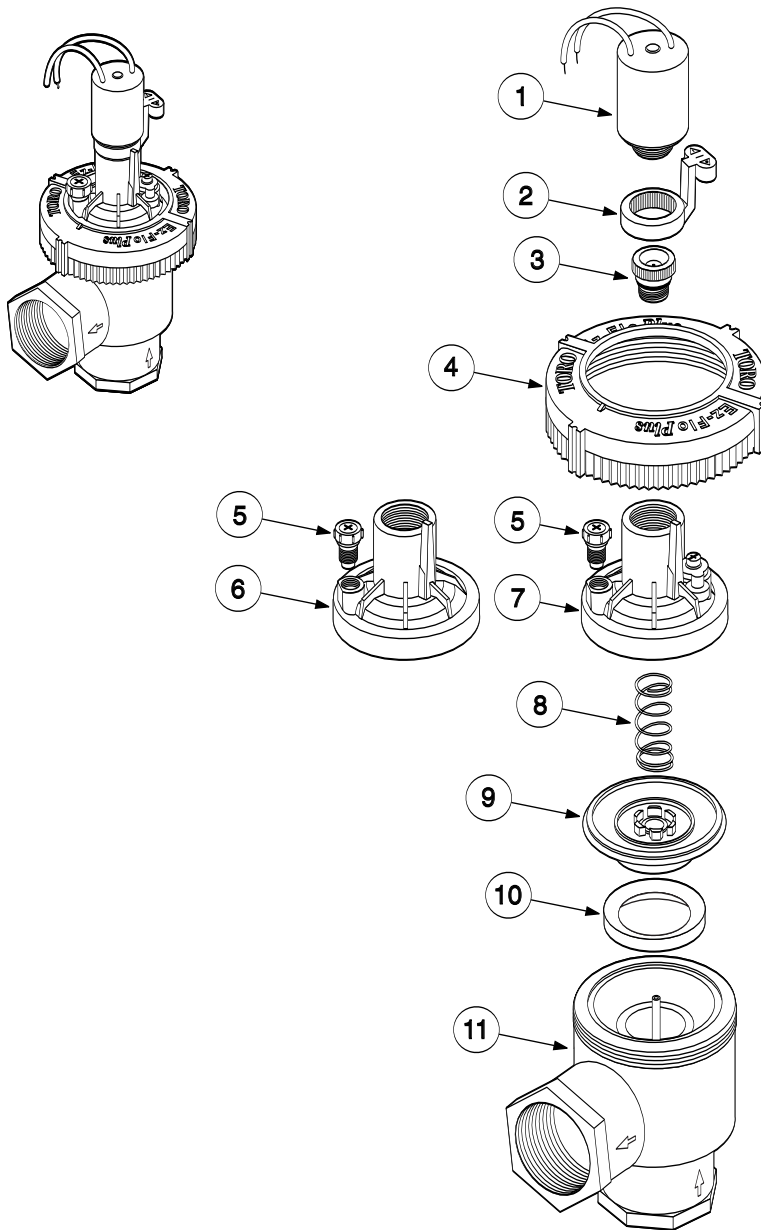
| Item No. | Part No. | Description | Quantity Per Assy. |
|----------|----------|-----------------------------------|--------------------|
| 1 | 102-0842 | Solenoid Assy., 24 V a.c., 60 Hz | 1 |
| 2 | 1081501 | Handle, Bleed Plug | 1 |
| 3 | 933801 | Bleed Plug Assy. | 1 |
| 4 | 102-1717 | Cover Nut | 1 |
| 5 | 1081401 | External Bleed Screw | 1 |
| 6 | 512203 | Cover Assy. (w/o Flow Control) | 1 |
| 7 | 1115004 | Cover Assy. (Flow Control Models) | 1 |
| 8 | 204A-37 | Spring | 1 |
| 9 | 138802 | Diaphragm Assy. | 1 |
| 10 | 1116602 | Divider | 1 |
| 11 | ----- | Body Assy., 1", M x B, NPT | 1 |
| 12 | ----- | Body Assy., 1", M x M, NPT | 1 |

EZ-Flo Plus Series, 1 Inch Female



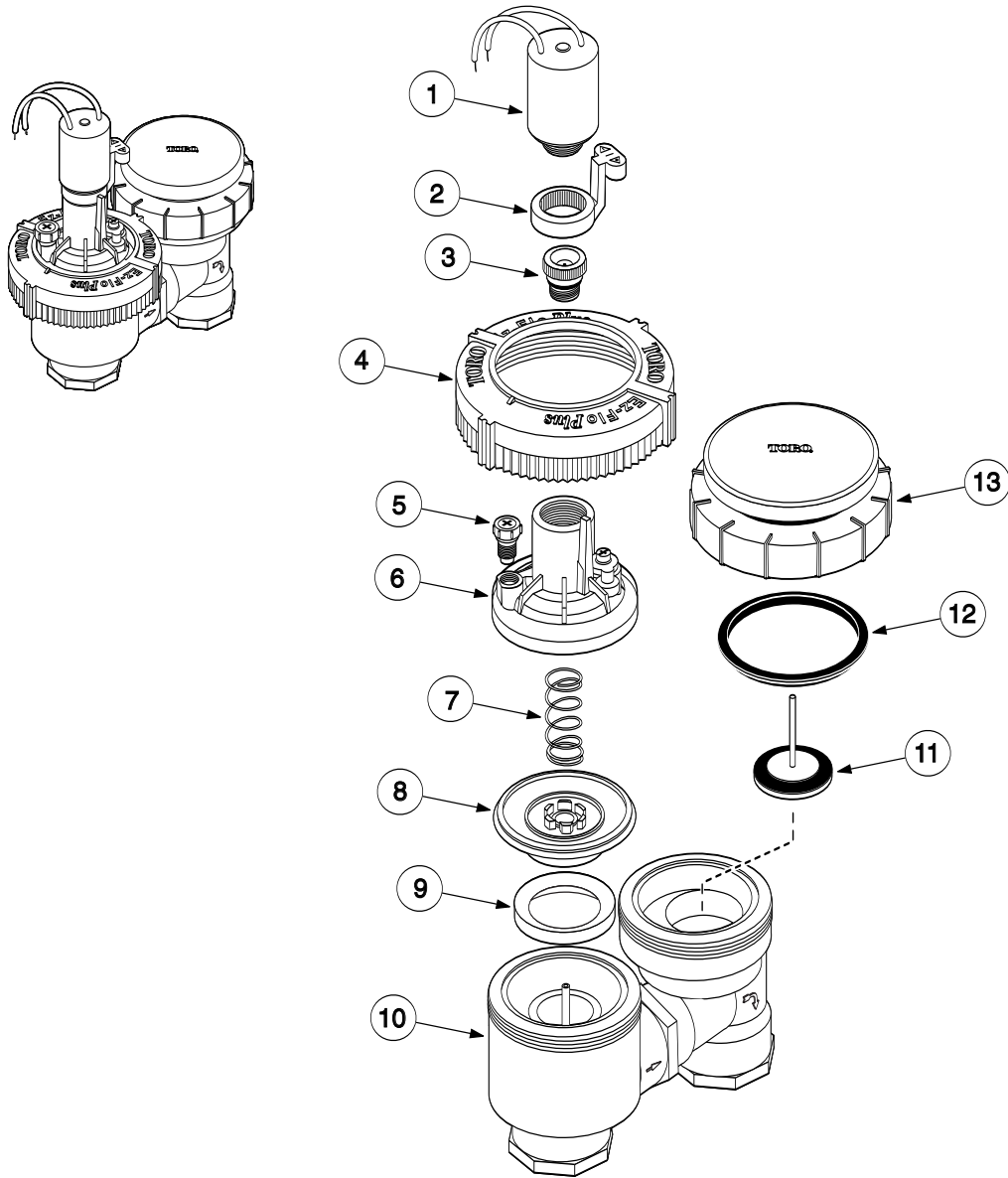
| Item No. | Part No. | Description | Quantity Per Assy. |
|----------|----------|-----------------------------------|--------------------|
| 1 | 102-0842 | Solenoid Assy., 24 V a.c., 60 Hz | 1 |
| 2 | 1081501 | Handle, Bleed Plug | 1 |
| 3 | 933801 | Bleed Plug Assy. | 1 |
| 4 | 102-1717 | Cover Nut | 1 |
| 5 | 1081401 | External Bleed Screw | 1 |
| 6 | 512203 | Cover Assy. (w/o Flow Control) | 1 |
| 7 | 1115004 | Cover Assy. (Flow Control Models) | 1 |
| 8 | 204A-37 | Spring | 1 |
| 9 | 138802 | Diaphragm Assy. | 1 |
| 10 | 1116602 | Divider | 1 |
| 11 | ----- | Body Assy., 1", F x F, Slip | 1 |
| 12 | ----- | Body Assy., 1", F x F, NPT | 1 |

EZ-Flo Plus Series, 1 Inch Angle



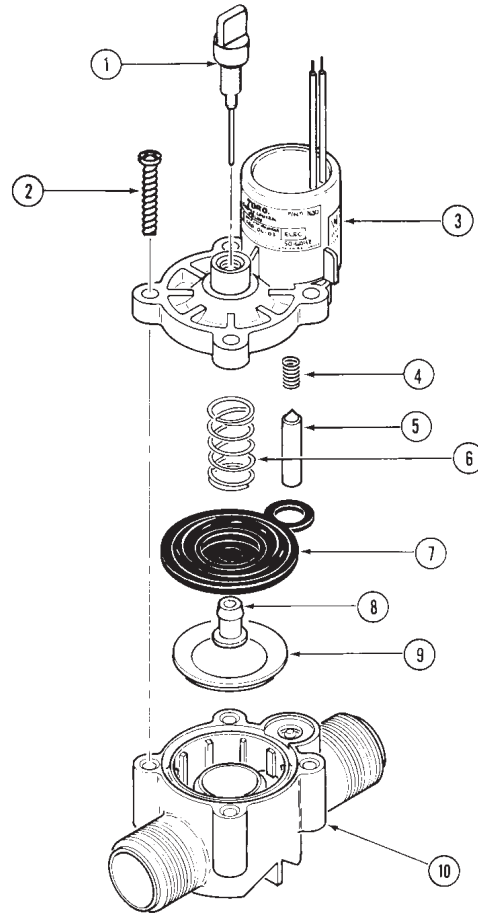
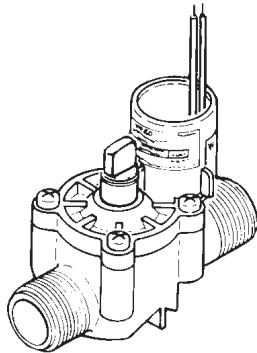
| Item No. | Part No. | Description | Quantity Per Assy. |
|----------|----------|-----------------------------------|--------------------|
| 1 | 102-0842 | Solenoid Assy., 24 V a.c., 60 Hz | 1 |
| 2 | 1081501 | Handle, Bleed Plug | 1 |
| 3 | 933801 | Bleed Plug Assy. | 1 |
| 4 | 102-1717 | Cover Nut | 1 |
| 5 | 1081401 | External Bleed Screw | 1 |
| 6 | 512203 | Cover Assy. (w/o Flow Control) | 1 |
| 7 | 1115004 | Cover Assy. (Flow Control Models) | 1 |
| 8 | 204A-37 | Spring | 1 |
| 9 | 138802 | Diaphragm Assy. | 1 |
| 10 | 1116602 | Divider | 1 |
| 11 | ----- | Body Assy., 1", F x F, NPT | 1 |

EZ-Flo Plus AVB Series, 3/4 Inch and 1 Inch



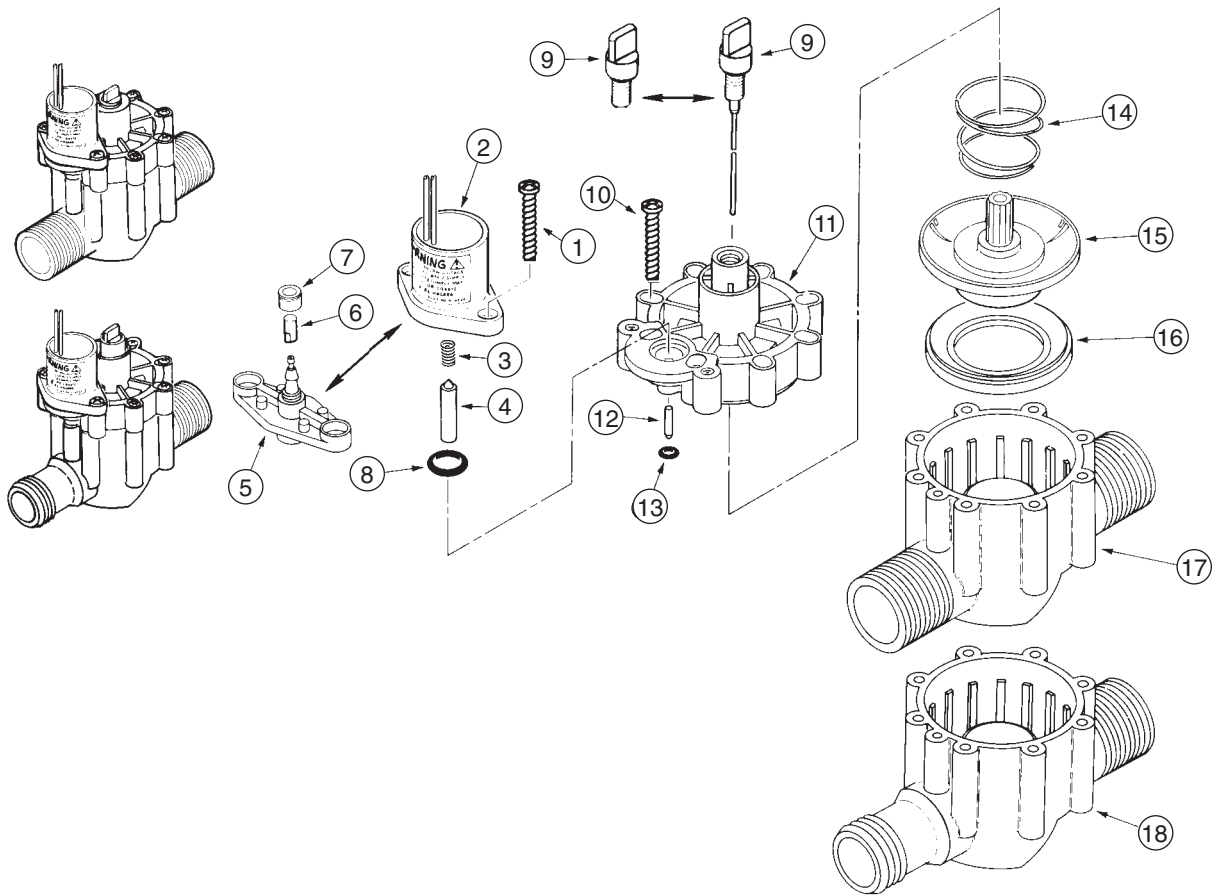
| Item No. | Part No. | Description | Quantity Per Assy. |
|----------|----------|----------------------------------|--------------------|
| 1 | 102-0842 | Solenoid Assy., 24 V a.c., 60 Hz | 1 |
| 2 | 1081501 | Handle, Bleed Plug | 1 |
| 3 | 933801 | Bleed Plug Assy. | 1 |
| 4 | 102-1717 | Cover Nut | 1 |
| 5 | 1081401 | External Bleed Screw | 1 |
| 6 | 1115004 | Cover Assy. | 1 |
| 7 | 204A-37 | Spring | 1 |
| 8 | 138802 | Diaphragm Assy. | 1 |
| 9 | 1116602 | Divider | 1 |
| 10 | ----- | Body Assy, 3/4", NPT | 1 |
| 10 | ----- | Body Assy, 1", NPT | 1 |
| 11 | 1088001 | Stem Assy., 3/4" | 1 |
| 11 | 1018601 | Stem Assy., 1" | 1 |
| 12 | 595901 | Seal, Anti-Siphon Cover, 3/4" | 1 |
| 12 | 655401 | Seal, Anti-Siphon Cover, 1" | 1 |
| 13 | 217107-H | Shield/Cover Assy., 3/4" | 1 |
| 13 | 519111 | Shield/Cover Assy., 1" | 1 |

264 Series, 3/4 Inch



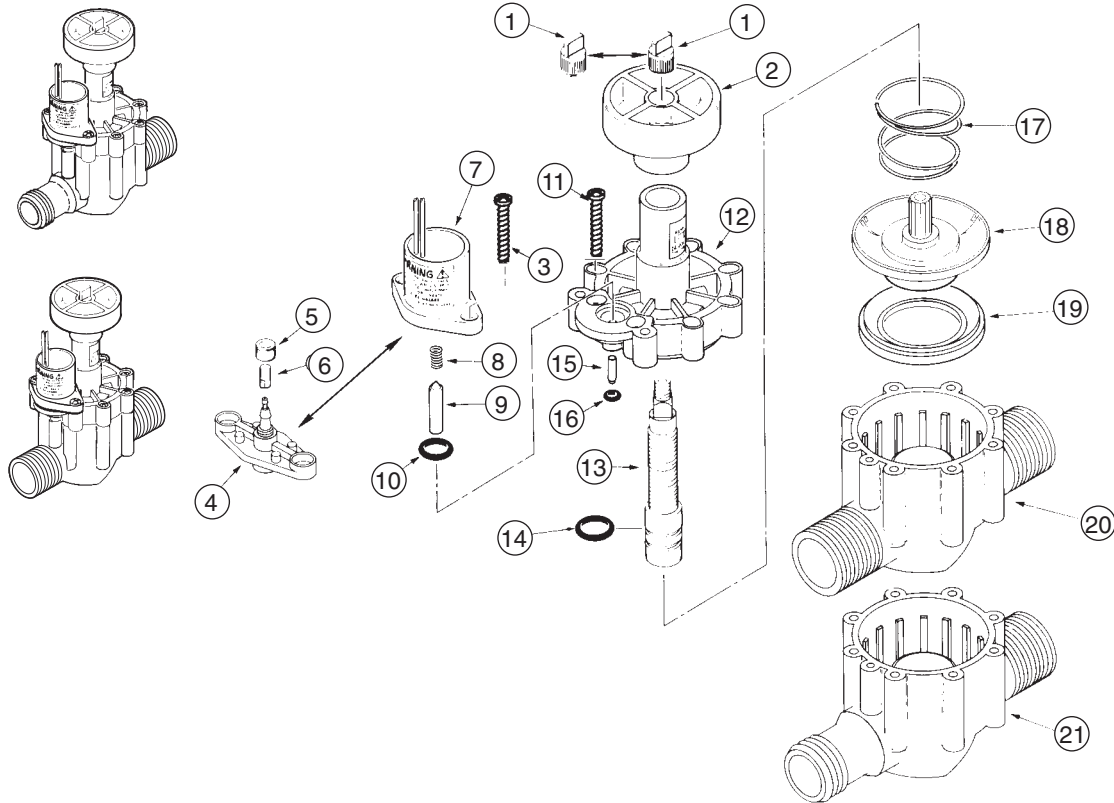
| Item No. | Part No. | Description | Quantity Per Assy. |
|----------|----------|-----------------------------------|--------------------|
| 1 | 35-4889 | Bleed Screw Assy. with Pin | 1 |
| 2 | 363-1493 | Screw, #10 x 1" | 4 |
| 3 | 9-7413 | Cap Assy. | 1 |
| 4 | 9-6148 | Spring, Plunger, Solenoid | 1 |
| 5 | 9-6527 | Plunger Assy. | 1 |
| 6 | 9-7619 | Spring, Diaphragm | 1 |
| 7 | 35-8941 | Diaphragm Assy. (Includes Item 8) | 1 |
| 8 | ----- | Plug, Metering, Diaphragm | 1 |
| 9 | 9-7835 | Support, Diaphragm | 1 |
| 10 | 9-7992 | Body, Valve | 1 |

264 Series, 1 Inch



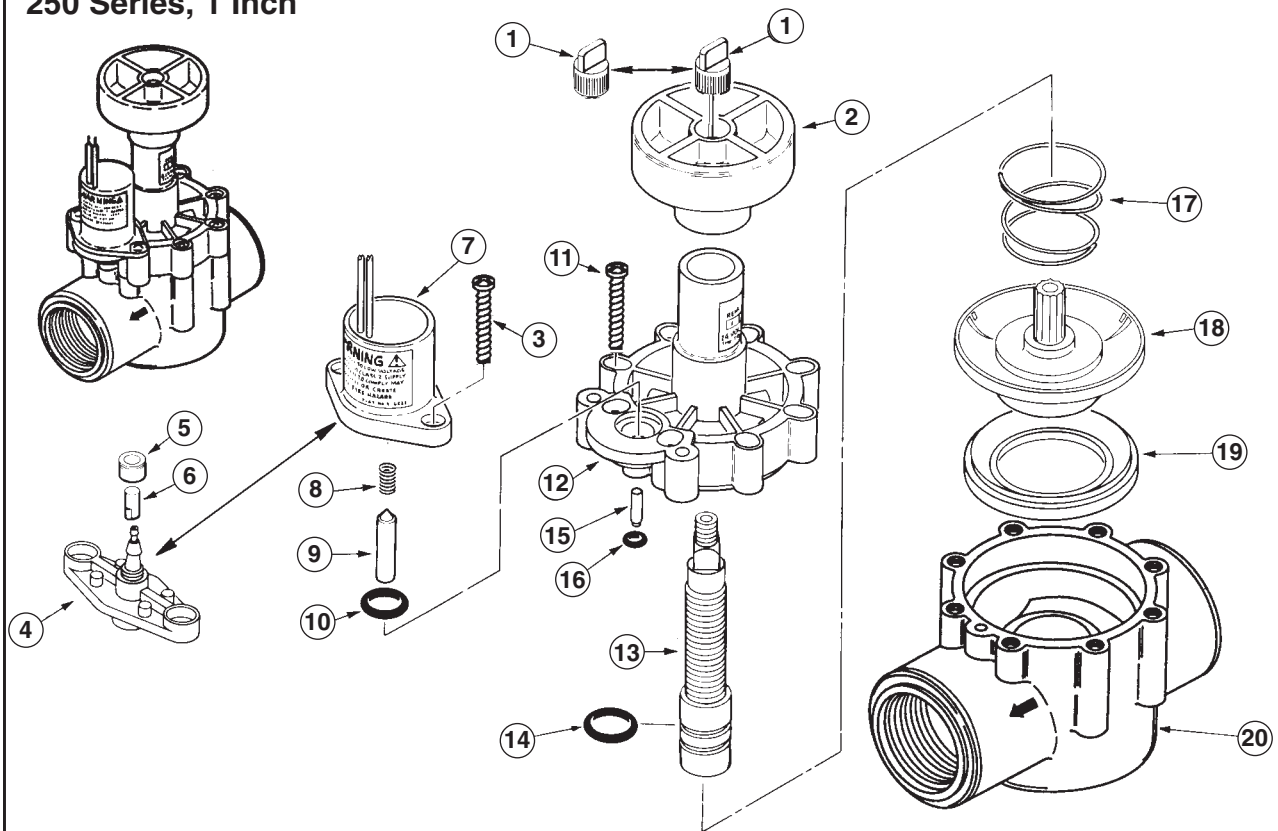
| Item No. | Part No. | Description | Quantity Per Assy. |
|----------|----------|--|--------------------|
| 1 | 363-1493 | Screw, #10 x 1" | 2 |
| 2 | ----- | Solenoid Assy., EL (See Service Item 89-0878) | 1 |
| 3 | 9-6148 | Spring, Plunger, Solenoid, EL | 1 |
| 4 | 9-6527 | Plunger Assy., EL | 1 |
| 5 | 35-3776 | Adapter Assy., NO | 1 |
| 6 | 89-8157 | Cap, 1/4", Poly, NO | 1 |
| 7 | *900-40 | Retainer, Tube, NO | 1 |
| 8 | 2-9652 | O-Ring, 7/16" x 5/8", NO | 1 |
| 9 | 35-2673 | Bleed Screw, NO | 1 |
| 9 | 35-2941 | Bleed Screw Assy., EL, Fast-closing | 1 |
| 10 | 363-4007 | Screw, #10 x 1.25" | 8 |
| 11 | 9-8313 | Cap Assy., EL | 1 |
| 11 | 9-7291 | Cap Assy., NO | 1 |
| 12 | 3-2016 | Shaft, Idler, Lower, NO | 1 |
| 13 | 1-2035 | O-Ring, 0.070" x 0.114" x 0.254" | 1 |
| 14 | 9-7110 | Spring, Diaphragm | 1 |
| 15 | 35-2824 | Diaphragm Assy., 1", EL | 1 |
| 15 | 35-2943 | Diaphragm Assy., 1", NO Hyd | 1 |
| 17 | 9-8311 | Body, M x M, 1", NPT | 1 |
| 18 | 35-1772 | Body, M x B, 1", NPT | 1 |
| | | SERVICE ITEMS | |
| | 89-0878 | Solenoid & Plunger Assy., EL (Includes Items 2-4) | |
| | 35-9354 | Bleed Screw Assy., EL, Slow-closing | |
| | | * Order Through Finished Goods Distribution System—Minneapolis | |

254 Series, 1 Inch



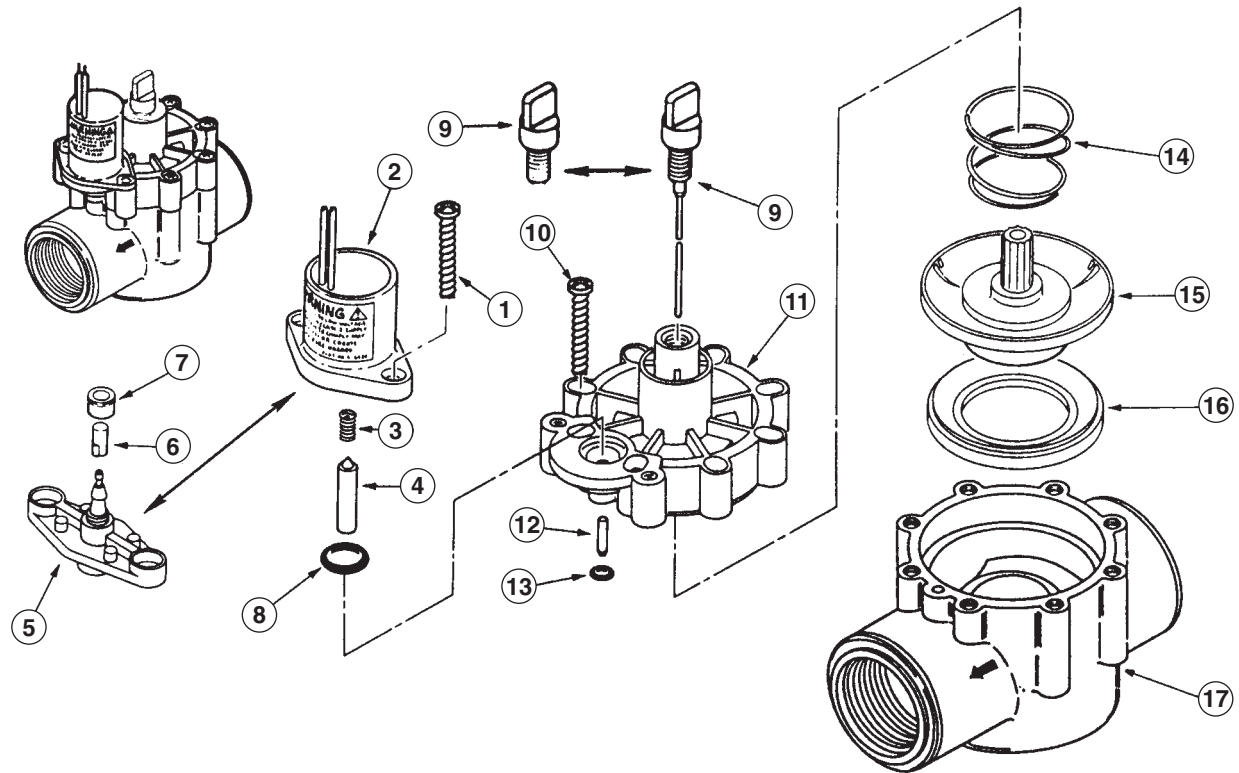
| Item No. | Part No. | Description | Quantity Per Assy. |
|----------|----------|--|--------------------|
| 1 | 35-4521 | Bleed Cap Assy., Fast-closing | 1 |
| 1 | 35-1748 | Bleed Cap, NO | 1 |
| 2 | 35-3777 | Knob, Handle, Cross | 1 |
| 3 | 363-1493 | Screw, #10 x 1" | 2 |
| 4 | 35-3776 | Adapter Assy., NO | 1 |
| 5 | *900-40 | Retainer, Tube, NO | 1 |
| 6 | 89-8157 | Cap, Poly, NO | 1 |
| 7 | ----- | Solenoid Assy., EL (See Service Item 89-0878) | 1 |
| 8 | 9-6148 | Spring, Plunger, Solenoid, EL | 1 |
| 9 | 9-6527 | Plunger Assy. | 1 |
| 10 | 2-9652 | O-Ring, 7/16" x 5/8" | 1 |
| 11 | 363-4007 | Screw, #10 x 1.25" | 8 |
| 12 | ----- | Cap, Valve, w/FC, EL, Fast-closing (See Service Item 9-8182) | 1 |
| 12 | ----- | Cap Assy. w/FC, NO (See Service Item 35-0767) | 1 |
| 13 | 35-1983 | Stem, Flow Control | 1 |
| 14 | 360-0220 | O-Ring, 0.070" x 0.551" x 0.691" | 1 |
| 15 | 3-2016 | Shaft, Idler, Lower, NO | 1 |
| 16 | 1-2035 | O-Ring, 0.070" x 0.114" x 0.254" | 1 |
| 17 | 9-7110 | Spring, Diaphragm, NO | 1 |
| 18 | 35-2943 | Diaphragm Assy., 1", NO | 1 |
| 18 | 35-2824 | Diaphragm Assy., 1", EL | 1 |
| 19 | 9-6331 | Support, Diaphragm | 1 |
| 20 | 9-8311 | Body Assy., M x M, 1" | 1 |
| 21 | 35-1772 | Body Assy., M x B, 1" | 1 |
| | | SERVICE ITEMS | |
| | 89-0878 | Solenoid & Plunger Assy., EL (Includes Items 7-9) | |
| | 35-0767 | Cap Assy., w/Flow Control, NO (Includes Items 12-14) | |
| | 35-9346 | Bleed Cap Assy., w/Pin, EL | |
| | 9-8182 | Cap, Valve, w/FC, EL, (Includes Items 12-14) | |
| | | * Order Through Finished Goods Distribution System—Minneapolis | |

250 Series, 1 Inch



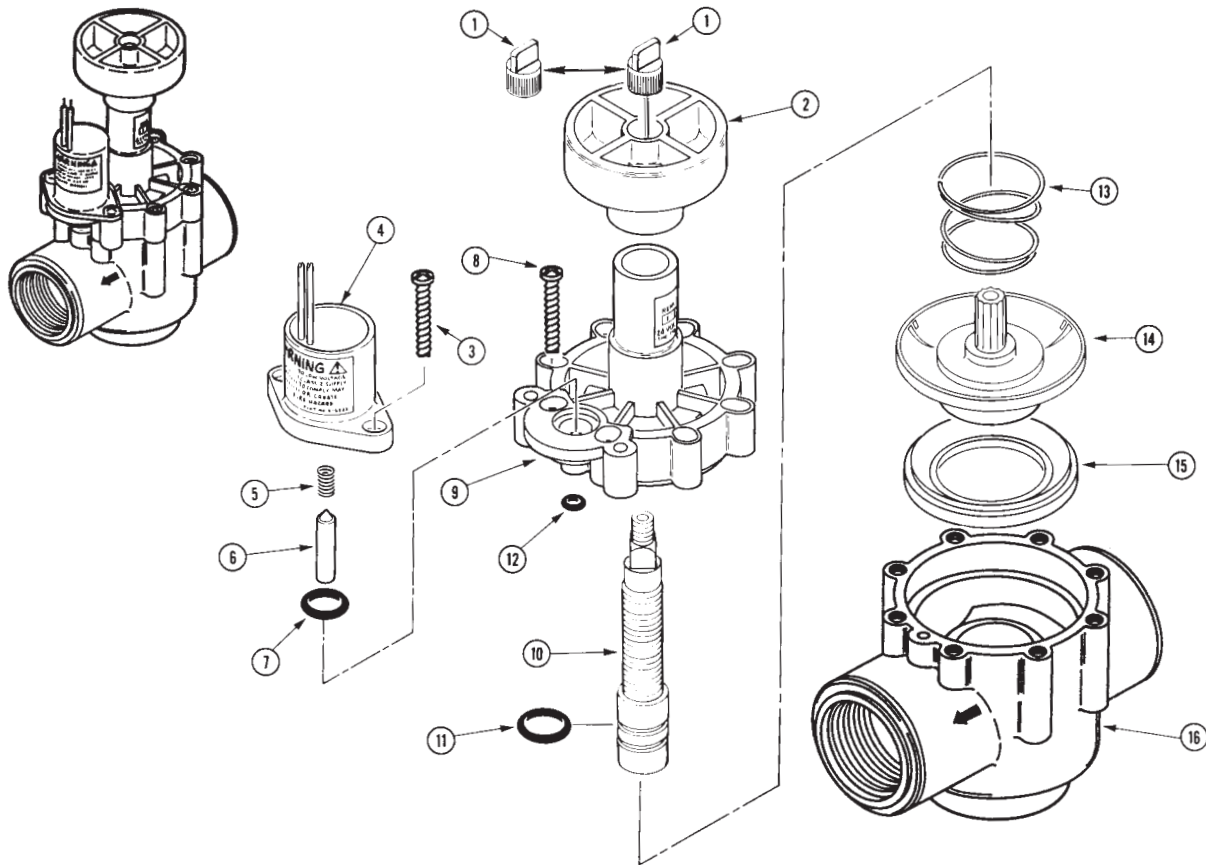
| Item No. | Part No. | Description | Quantity Per Assy. |
|----------|----------|--|--------------------|
| 1 | 35-4521 | Bleed Cap Assy. w/Pin, EL, Fast-closing | 1 |
| 1 | 35-1748 | Bleed Cap, NO & PT | 1 |
| 1 | 89-7855 | Bleed Cap, Effluent | 1 |
| 2 | 35-3777 | Knob, Handle, Cross | 1 |
| 3 | 363-1493 | Screw, #10 x 1" | 2 |
| 4 | 35-3776 | Adapter, NO & PT | 1 |
| 5 | *900-40 | Retainer, Tube, NO & PT | 1 |
| 6 | 89-8157 | Cap, Poly, NO & PT | 1 |
| 7 | ----- | Solenoid Assy., EL (See Service Item 89-0878) | 1 |
| 8 | 9-6148 | Spring, Plunger, Solenoid, EL | 1 |
| 9 | 9-6527 | Plunger Assy., EL | 1 |
| 10 | 2-9652 | O-Ring, 7/16" x 5/8" | 1 |
| 11 | 363-1493 | Screw, #10 x 1" | 8 |
| 12 | ----- | Cap Assy., EL (See Service Item 9-8182) | 1 |
| 12 | ----- | Cap Assy., NO & PT (See Service Item 35-0767) | 1 |
| 13 | 35-1983 | Stem, Flow Control | 1 |
| 14 | 360-0220 | O-Ring, 0.070" x 0.551" x 0.691" | 1 |
| 15 | 3-2016 | Shaft, Idler, Lower, NO & PT | 1 |
| 16 | 1-2035 | O-Ring, 0.070" x 0.114" x 0.254" | 1 |
| 17 | 9-4425 | Spring, Diaphragm, PT | 1 |
| 17 | 9-7110 | Spring, Diaphragm, EL & NO | 1 |
| 18 | 35-2943 | Diaphragm Assy., 1", NO | 1 |
| 18 | 35-2824 | Diaphragm Assy., 1", EL | 1 |
| 18 | 35-3655 | Diaphragm Assy., 1", PT | 1 |
| 19 | 9-6331 | Support, Diaphragm | 1 |
| 20 | 9-6809 | Body Assy., In-line Globe, NPT | 1 |
| 20 | 35-1970 | Body Assy., In-line Globe, BSP | 1 |
| | | SERVICE ITEMS | |
| | 89-0878 | Solenoid & Plunger Assy., EL (Includes Items 7-9) | |
| | 35-3503 | Diaphragm Assy., EL, Service Kit | |
| | 9-5197 | Screen, Filter, 3/4" (Used with 35-3503 Diaphragm Assy.) | |
| | 9-6548 | Plug, Communication, Diaphragm (Used with 35-3655 Diaphragm Assy., PT) | |
| | 9-8182 | Cap Assy., (Includes Items 12-14) | |
| | 35-0767 | Cap Assy., NO & PT (Includes Items 12-14) | |
| | 35-9346 | Bleed Cap Assy., Slow-closing | |
| | | * Order Through Finished Goods Distribution System-Minneapolis | |

260 Series, 1 Inch



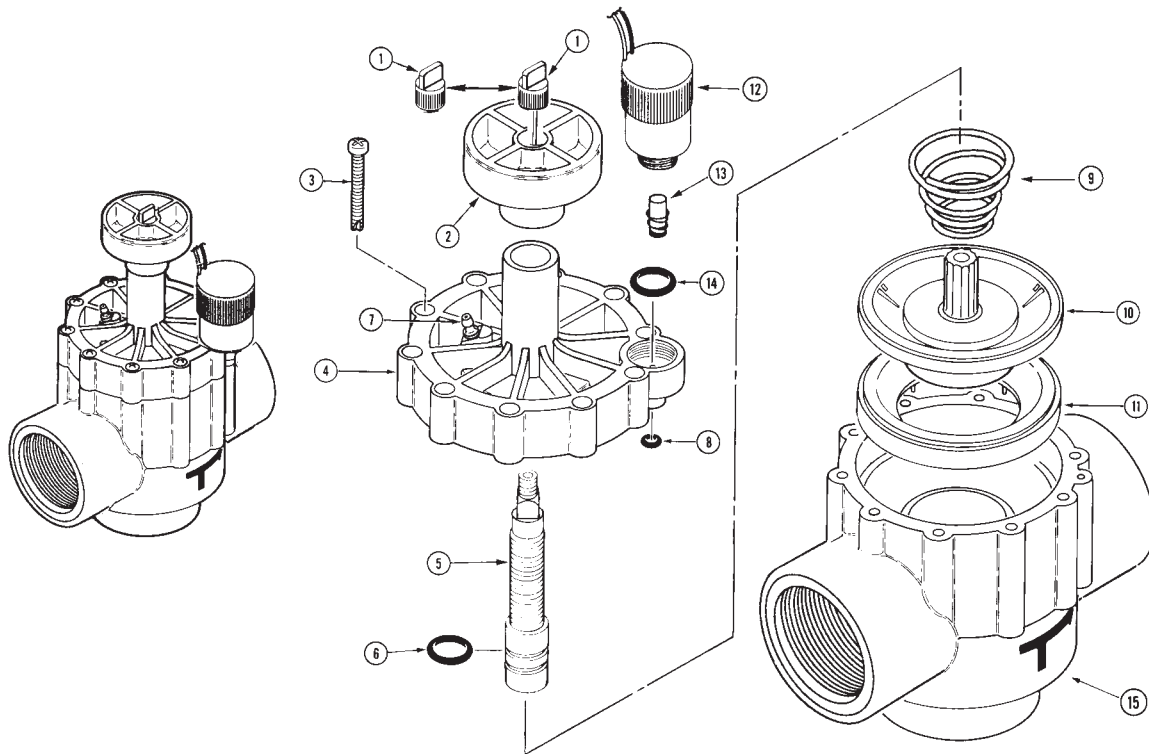
| Item No. | Part No. | Description | Quantity Per Assy. |
|----------|----------|--|--------------------|
| 1 | 363-1493 | Screw, #10 x 1" | 2 |
| 2 | ----- | Solenoid Assy. (See Service Item 89-0878) | 1 |
| 3 | 9-6148 | Spring, Plunger, Solenoid | 1 |
| 4 | 9-6527 | Plunger Assy. | 1 |
| 5 | 35-3776 | Adapter, NO & PT | 1 |
| 6 | 89-8157 | Cap, Poly, NO & PT | 1 |
| 7 | *900-40 | Retainer, Tube, NO & PT. | 1 |
| 8 | 2-9652 | O-Ring, 7/16" x 5/8" | 1 |
| 9 | 35-2941 | Bleed Screw Assy. w/Pin, EL | 1 |
| 9 | 35-2673 | Bleed Screw, NO & PT | 1 |
| 10 | 363-1493 | Screw, #10 x 1" | 8 |
| 11 | 9-8313 | Cap, Valve without FC, EL | 1 |
| 11 | 9-7291 | Cap, Valve without FC, NO & PT | 1 |
| 12 | 3-2016 | Shaft, Idler, Lower, NO & PT | 1 |
| 13 | 1-2035 | O-Ring, 0.070" x 0.114" x 0.254" | 1 |
| 14 | 9-7110 | Spring, Diaphragm, EL & NO | 1 |
| 14 | 9-4425 | Spring, Diaphragm, PT. | 1 |
| 15 | 35-2943 | Diaphragm Assy., 1", NO | 1 |
| 15 | 35-2824 | Diaphragm Assy., 1", EL | 1 |
| 15 | 35-3655 | Diaphragm Assy., 1", PT | 1 |
| 16 | 9-6331 | Support, Diaphragm | 1 |
| 17 | 9-6809 | Body Assy., Globe, NPT | 1 |
| 17 | 35-1970 | Body Assy., Globe, BSP | 1 |
| | | SERVICE ITEMS | |
| | 89-0878 | Solenoid & Plunger Assy., EL (Includes Items 2-4) | |
| | 35-3503 | Diaphragm Assy., EL, Service Kit | |
| | 9-5197 | Screen, Filter, 3/4" (Used with 35-3503 Diaphragm Assy.) | |
| | 9-6548 | Plug, Communication, Diaphragm (Used with 35-3655) | |
| | 35-9354 | Bleed Cap, Fast-closing, NO | |
| | 9-6548 | Plug, Communication, Diaphragm (Used with 35-3655) | |
| | 35-9354 | Bleed Screw Assy., w/Pin, EL, Slow-closing | |
| | | * Order Through Finished Goods Distribution System—Minneapolis | |

252 Series, 1 Inch



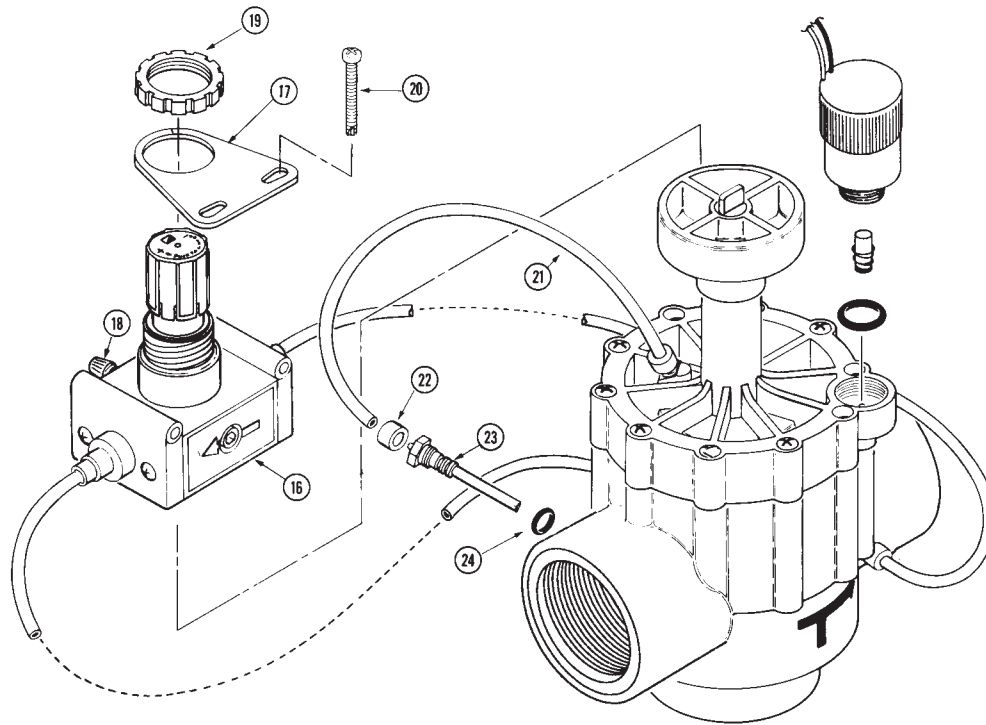
| Item No. | Part No. | Description | Quantity Per Assy. |
|----------|----------|--|--------------------|
| 1 | 35-4521 | Bleed Cap Assy., w/Pin, EL, Fast-closing | 1 |
| 1 | 35-1748 | Bleed Cap Assy., w/o Pin, NO & PT | 1 |
| 2 | 35-3777 | Knob, Handle Cross | 1 |
| 3 | 363-1493 | Screw, #10 x 1" | 2 |
| 4 | ----- | Solenoid Assy. (See Service Item 89-0878) | 1 |
| 5 | 9-6148 | Spring, Plunger, Solenoid | 1 |
| 6 | 9-6527 | Plunger Assy. | 1 |
| 7 | 2-9652 | O-Ring, 7/16" x 5/8" | 1 |
| 8 | 363-1493 | Screw, #10 x 1" | 8 |
| 9 | ----- | Cap Assy., EL, w/FC, (See Service Item 35-8182) | 1 |
| 10 | 35-1983 | Stem, Flow Control | 1 |
| 11 | 360-0220 | O-Ring, 0.070" x 0.551" x 0.691" | 2 |
| 12 | 1-2035 | O-Ring, 0.070" x 0.114" x 0.254" | 1 |
| 13 | 9-7110 | Spring, Diaphragm | 1 |
| 14 | 35-2824 | Diaphragm Assy., 1", EL | 1 |
| 15 | 9-6331 | Support, Diaphragm | 1 |
| 16 | 9-6811 | Body Assy., 1", NPT | 1 |
| 16 | 35-1971 | Body Assy., 1", BSP | 1 |
| N/I | 9-7706 | Plug, Pipe, 1" | 1 |
| | | SERVICE ITEMS | |
| | 89-7855 | Bleed Cap Assy.,w/o Pin, NO & PT, Effluent | |
| | 89-0878 | Solenoid & Plunger Assy. (Includes Items 4–6) | |
| | 9-8182 | Cap Assy. (Includes Items 9–11) | |
| | 35-3503 | Diaphragm Assy., EL, Service Kit | |
| | 9-5197 | Screen, Filter, 3/4" (Used in 35-3503 Diaphragm Assy.) | |
| | 35-9346 | Bleed Cap Assy., w/Pin, Slow-closing | |

252 Series, 1.5 Inch (Sheet 1 of 2)



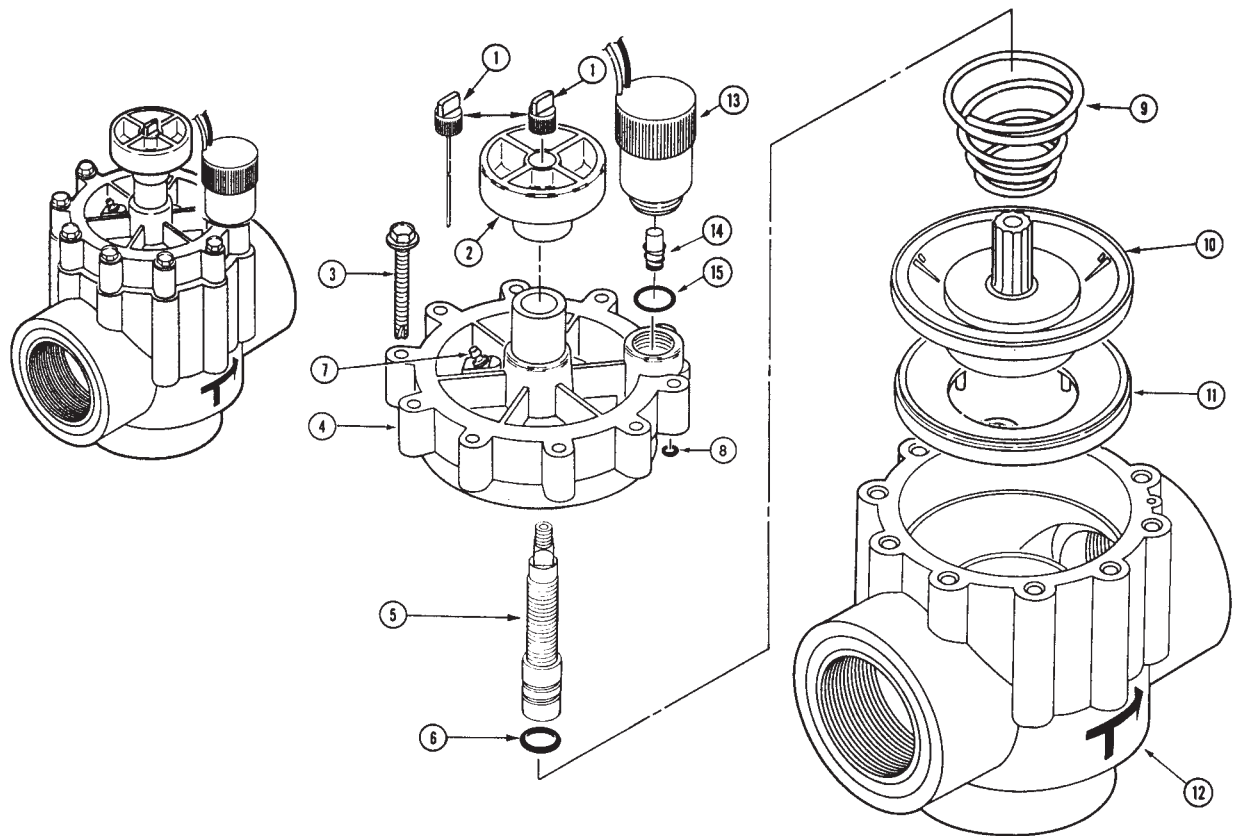
| Item No. | Part No. | Description | Quantity Per Assy. |
|----------|----------|---|--------------------|
| 1 | 35-4521 | Bleed Cap Assy. w/Pin, EL | 1 |
| 1 | 35-1748 | Bleed Cap, NO and PT, PR & CR | 1 |
| 1 | 89-7855 | Bleed Cap, Effluent | 1 |
| 2 | 35-3777 | Knob, Handle Cross | 1 |
| 3 | 360-0203 | Screw, Tap, #10, SST | 10 |
| 4 | ----- | Cap, Valve, EL (See Service Items) | 1 |
| 4 | ----- | Cap, Valve, NO & PT (See Service Items) | 1 |
| 4 | ----- | Cap, Valve, PR (See Service Items) | 1 |
| 4 | ----- | Cap, Valve, CR (See Service Items) | 1 |
| 5 | 35-1983 | Stem, Flow Control | 1 |
| 6 | 360-0220 | O-Ring, 0.070" x 0.551" x 0.691" | 2 |
| 7 | 9-6791 | Connector, Poly | 1 |
| 8 | 1-2035 | O-Ring, 0.070" x 0.114" x 0.254", EL, PR & CR | 1 |
| 9 | 9-4425 | Spring, Diaphragm | 1 |
| 10 | 89-0812 | Diaphragm Assy., EL | 1 |
| 10 | 89-0814 | Diaphragm Assy., PT | 1 |
| 10 | 89-0813 | Diaphragm Assy., NO, PR & CR | 1 |
| 11 | 89-6110 | Support, Diaphragm | 1 |
| 12 | 89-1905 | Solenoid Assy., EL, PR & CR | 1 |
| 13 | 35-4609 | Plunger Assy., EL, PR & CR | 1 |
| 14 | 360-0220 | O-Ring, 0.070" x 0.551" x 0.691", EL, PR & CR | 1 |
| 15 | 9-7100 | Body Assy., NO & PT, NPT | 1 |
| 15 | 9-7238 | Body Assy., EL, NPT | 1 |
| 15 | 35-1972 | Body Assy., NO & PT, BSP | 1 |
| 15 | 35-1973 | Body Assy., EL, BSP | 1 |
| 15 | 35-4937 | Body Assy., PR, NPT | 1 |
| 15 | 35-5642 | Body Assy., PR, BSP | 1 |
| 15 | 89-4805 | Body Assy., CR, NPT | 1 |
| 15 | 89-6036 | Body Assy., CR, BSP | 1 |

252 Series, 1.5 Inch (Sheet 2 of 2)



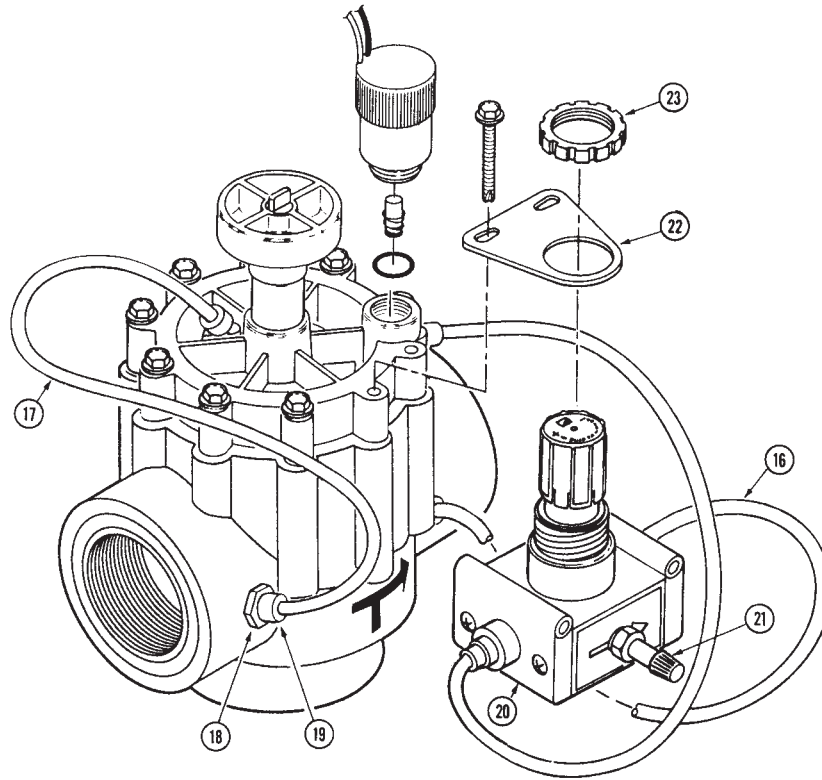
| Item No. | Part No. | Description | Quantity Per Assy. |
|----------|----------|---|--------------------|
| 16 | 363-3141 | Regulator, Water Pressure, Plastic Valve, PR | 1 |
| 17 | 35-3444 | Bracket, Regulator, PR | 1 |
| 18 | 363-1762 | Valve, 1/8", PR, NPT | 1 |
| 19 | 363-1894 | Nut, Regulator, PR | 1 |
| 20 | 360-0203 | Screw, #10-25 x 1-3/4", PR | 2 |
| 21 | 9-2623 | Tube, 1/4" x 8", PR & CR | 3 |
| 21 | 9-2624 | Tube, 1/4" x 11.5", CR | 1 |
| 22 | *900-40 | Retainer, Tube, PR & CR | 6 |
| 23 | 35-4619 | Filter Assy., 1/4", Regulator, PR & CR | 1 |
| 24 | 360-0494 | O-Ring, 0.070" x 0.426" x 0.566", PR & CR | 1 |
| | | SERVICE ITEMS | |
| | 35-3099 | Solenoid Assy., EL and PR & CR (Includes Items 12 & 13) | |
| | 89-8157 | Cap, Poly, NO & PT | |
| | 2-3013 | Plug, Cap | |
| | 35-9346 | Bleed Screw, Fast, 1" & 1.5" | |
| | 35-0595 | Cap Assy., Valve, EL (Includes Items 4-6) | |
| | 35-0769 | Cap Assy., Valve, NO & PT (Includes Items 4-7) | |
| | 35-4935 | Cap Assy., Valve, PR & CR (Includes Items 4-7) | |
| | 35-4926 | Regulator Assy., Plastic Valve, PR (Includes Items 16-19) | |
| | 360-0630 | Plug, Pipe, 1.5", NPT | |
| | 89-0817 | Kit, Diaphragm, 1.5", EL (Includes Items 10 & 11) | |
| | 89-0818 | Kit, Diaphragm, 1.5", NO (Includes Items 10 & 11) | |
| | 89-0814 | Kit, Diaphragm, 1.5", PT (Includes Items 10 & 11) | |
| | 89-9453 | Kit, Service, Valve, 1.5", NO (Includes Items 1, 2, 9, 10, 11 & 35-0769 Valve Cap Assy.) | |
| | 89-3853 | Kit, Service, Valve, 1.5", EL (252) (Includes Items 1, 2, 6, 8, 9, 10 & 35-0595 Valve Cap Assy.) | |
| | 89-3892 | Kit, Service, Valve, 1.5", PT (Includes Items 1, 2, 9, 10, 11 & 35-0769 Valve Cap Assy.) | |
| | | * Order Through Finished Goods Distribution System—Minneapolis | |

252 Series, 2 Inch (Sheet 1 of 2)



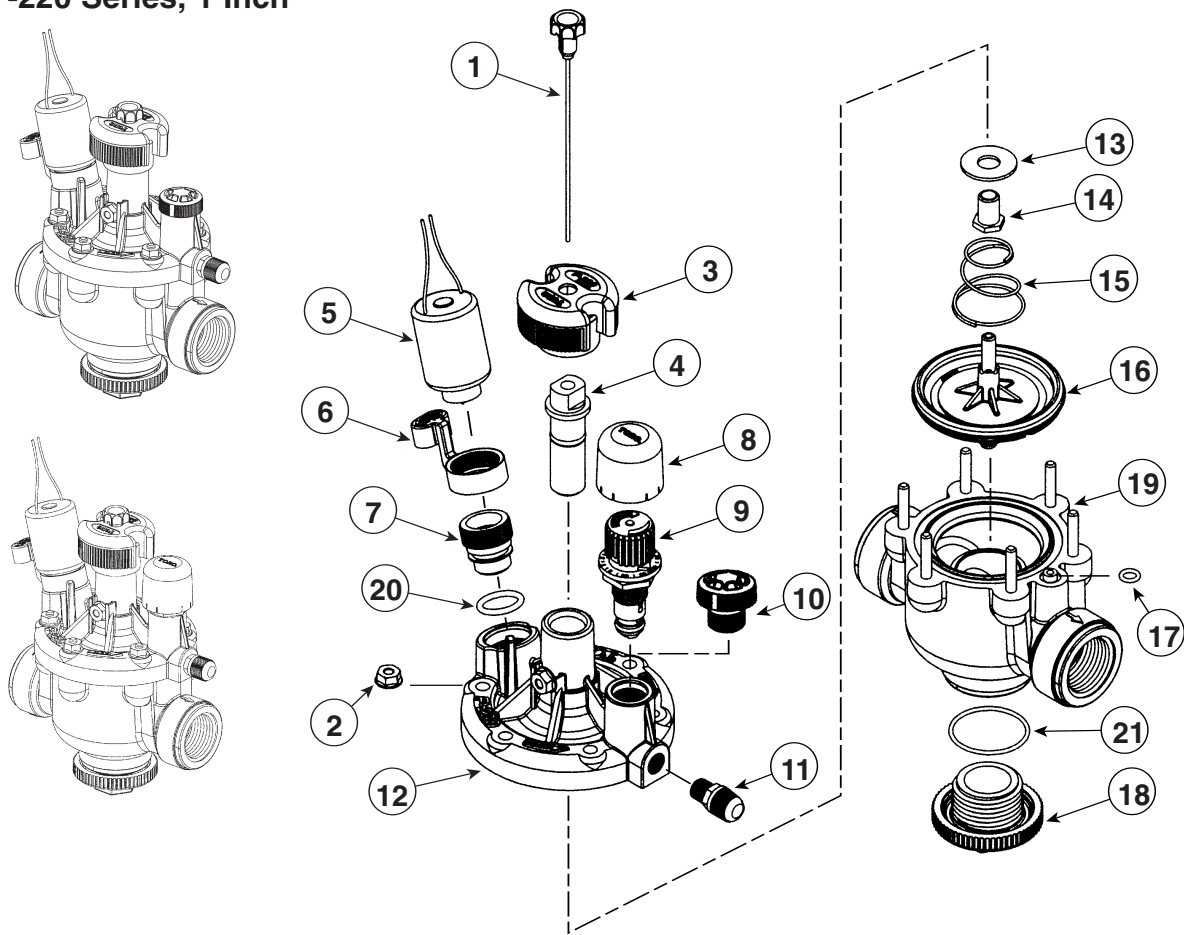
| Item No. | Part No. | Description | Quantity Per Assy. |
|----------|-----------|----------------------------------|--------------------|
| 1 | 35-3892 | Bleed Cap Assy. with Pin, EL | 1 |
| 1 | 35-1748 | Bleed Cap, NO, PR & CR | 1 |
| 2 | 35-3777 | Knob, Handle Cross | 1 |
| 3 | 363-1399 | Screw, Hex, Washer, 1/4-14 x 2" | 10 |
| 4 | - - - - - | Cap, Valve (See Service Items) | 1 |
| 5 | 35-1983 | Stem, Flow Control | 1 |
| 6 | 360-0220 | O-Ring, 0.070" x 0.551" x 0.691" | 2 |
| 7 | 9-6791 | Connector, Poly, NO & PR | 1 |
| 8 | 1-2035 | O-Ring, 0.070" x 0.114" x 0.254" | 1 |
| 9 | 9-6940 | Spring, Diaphragm, EL, PR & CR | 1 |
| 9 | 9-4425 | Spring, Diaphragm, NO | 1 |
| 10 | 89-0815 | Diaphragm Assy., EL | 1 |
| 10 | 89-0816 | Diaphragm Assy., NO, PR & CR | 1 |
| 11 | 9-6504 | Support, Diaphragm | 1 |
| 12 | 9-7258 | Body Assy., EL & NO, NPT | 1 |
| 12 | 35-1974 | Body Assy., EL & NO, BSP | 1 |
| 12 | 35-4943 | Body Assy., PR, NPT | 1 |
| 12 | 35-5645 | Body Assy., PR, BSP | 1 |
| 12 | 89-4807 | Body Assy., CR, NPT | 1 |
| 12 | 89-6035 | Body Assy., CR, BSP | 1 |
| 13 | 89-1905 | Solenoid Assy. | 1 |
| 14 | 35-4609 | Plunger Assy. | 1 |
| 15 | 360-0220 | O-Ring, 0.070" x 0.551" x 0.691" | 1 |

252 Series, 2 Inch (Sheet 2 of 2)



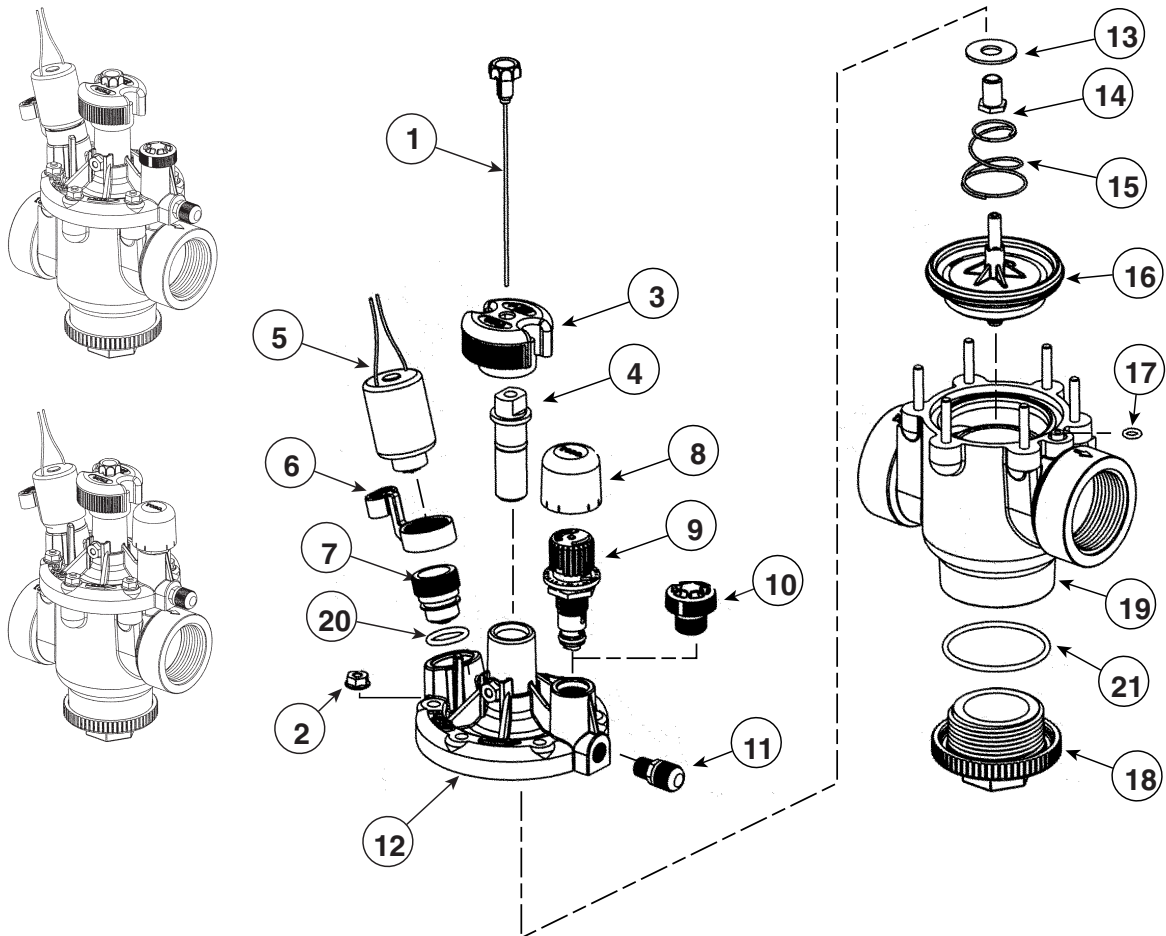
| Item No. | Part No. | Description | Quantity Per Assy. |
|----------|----------|--|--------------------|
| 16 | 9-2623 | Tube, 1/4" x 8", PR | 1 |
| 17 | 9-1876 | Tube, 1/4" x 12", PR and CR | 2 |
| 18 | 35-4931 | Filter Assy., Regulator, .034", PR and CR (Includes O-Ring) | 1 |
| 19 | *900-40 | Retainer, Tube, PR and CR | 4 |
| 20 | 363-3141 | Regulator Assy., Pressure, PR | 1 |
| 21 | 363-1762 | Valve, Schrader, 1/8" NPT, PR | 1 |
| 22 | 35-3444 | Bracket, Regulator, PR | 1 |
| 23 | 363-1894 | Nut, Regulator, PR | 1 |
| | | SERVICE ITEMS | |
| | 35-3099 | Solenoid Assy., EL and PR (Includes Items 13 & 14) | |
| | 360-0631 | Plug, Pipe, 2", NPT | |
| | 35-5154 | Plug, Pipe, 2", BSP | |
| | 89-3854 | Diaphragm Kit, EL 232 Valve (Includes Item 10 & 11) | |
| | 89-3855 | Diaphragm Kit, EL 232/252 Valves (Includes Item 10 & 11) | |
| | 35-0596 | Cap Assy., Valve, EL (Includes Item 4-6) | |
| | 35-0768 | Cap Assy., Valve, NO (Includes Item 4-7) | |
| | 35-4940 | Cap Assy., Valve, PR (Includes Item 4-7) | |
| | 89-4806 | Cap Assy., Valve, CR (Includes Items 4-7) | |
| | 35-4926 | Regulator Assy., Valve, Plastic, PR (Includes Items 20-23) | |
| | 89-0806 | Bleed Screw, Fast, 2" | |
| | 360-0494 | O-Ring, 0.070" x 0.426" x 0.566", PR and CR | |
| | | * Order Through Finished Goods Distribution System—Minneapolis | |

P-220 Series, 1 Inch



| Item No. | Part No. | Description | Quantity Per Assy. |
|----------|----------------------|--|--------------------|
| 1 | 102-3756 | Metering Rod Assy., P-220 | 1 |
| 2 | 845101 | Hex Nut, Flanged | 7 |
| 3 | 89-9780 | Handle, Flow Control | 1 |
| 4 | 102-0966 | Stem Assy., Flow Control | 1 |
| 5 | 102-0842 | Solenoid Assy., 60 Hz | 1 |
| 5 | 102-0927 | Solenoid Assy., 50 Hz | 1 |
| 6 | 1081501 | Handle, Bleed Plug | 1 |
| 7 | 1009605 | Bleed Plug | 1 |
| 8 | 835203 | Cap, Vandal Resistant | 1 |
| 9 | *EZR-30 | Regulator Module, 30 psi (Includes Item 8) | 1 |
| 9 | *EZR-100 | Regulator Module, 100 psi (Includes Item 8) | 1 |
| 10 | 89-9521 | Blanking Plug Assy. | 1 |
| 11 | 834101 | Valve Assy., Schrader | 1 |
| 12 | 102-0366 | Bonnet Assy. | 1 |
| 13 | 856202 | Stem Washer | 1 |
| 14 | 1033-H | Bushing | 1 |
| 15 | H1040 | Spring | 1 |
| 16 | 102-0368 | Diaphragm Assy. | 1 |
| 17 | 1054-H | O-Ring, Body | 1 |
| 18 | 536203 | Plug, Body, NPT & BSP | 1 |
| 19 | ----- | Valve Body Assy. | 1 |
| 20 | 1009701 | O-Ring, Bleed Plug | 1 |
| 21 | 2413 | O-Ring, Body Plug | 1 |
| | SERVICE ITEMS | | |
| | 102-0847 | Assy., Kit, Service, 1" & 1.5", P-220 (Includes Items 1-3, 10-12 and 15) | |
| | | * Order Through Finished Goods Distribution System—Minneapolis | |

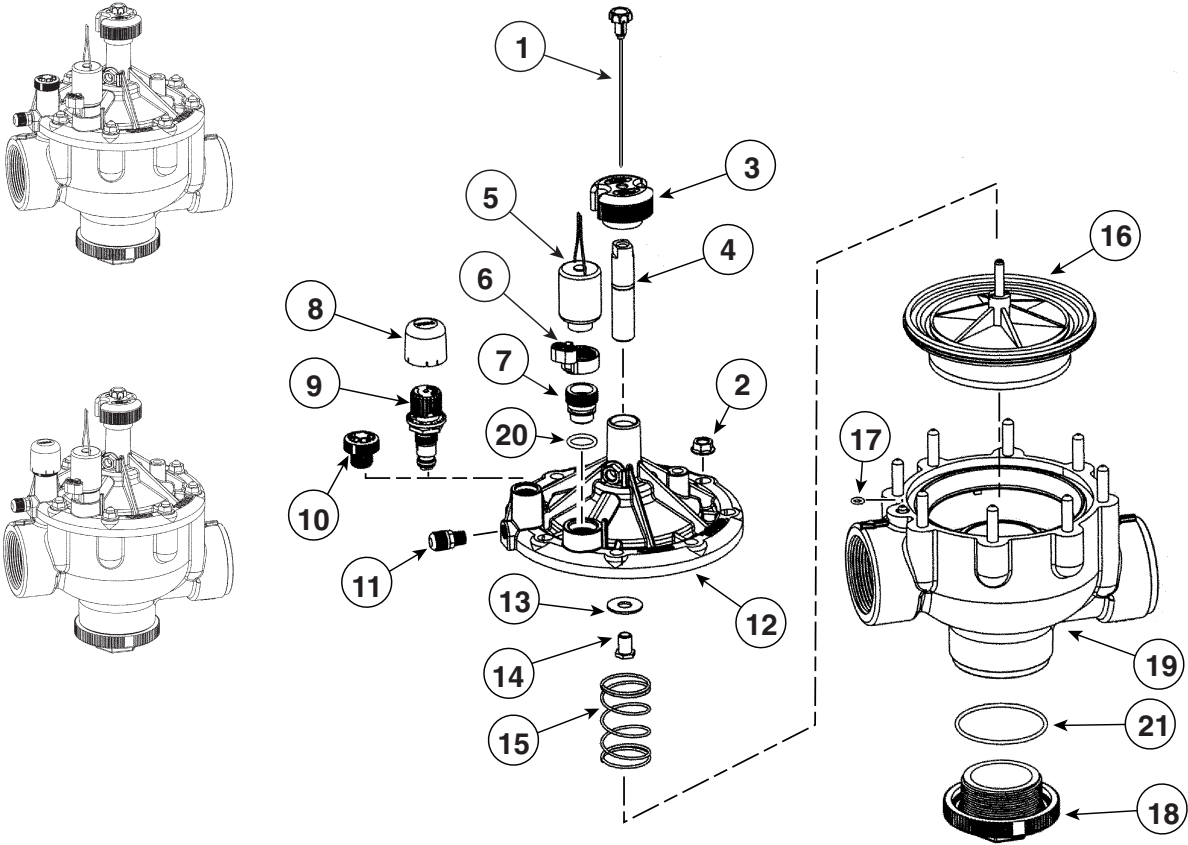
P-220 Series, 1.5 Inch



| Item No. | Part No. | Description | Quantity Per Assy. |
|----------|-----------------|--|--------------------|
| 1 | 102-3756 | Metering Rod Assy., P-220 | 1 |
| 2 | 845101 | Hex Nut, Flanged | 7 |
| 3 | 89-9780 | Handle, Flow Control | 1 |
| 4 | 102-0966 | Stem Assy., Flow Control | 1 |
| 5 | 102-0842 | Solenoid Assy., 60 Hz | 1 |
| 5 | 102-0927 | Solenoid Assy., 50 Hz | 1 |
| 6 | 1081501 | Handle, Bleed Plug | 1 |
| 7 | 1009605 | Bleed Plug | 1 |
| 8 | 835203 | Cap, Vandal Resistant | 1 |
| 9 | *EZR-30 | Regulator Module, 30 psi (Includes Item 8) | 1 |
| 9 | *EZR-100 | Regulator Module, 100 psi (Includes Item 8) | 1 |
| 10 | 89-9521 | Blanking Plug Assy. | 1 |
| 11 | 834101 | Valve Assy., Schrader | 1 |
| 12 | 102-0366 | Bonnet Assy. | 1 |
| 13 | 856202 | Stem Washer | 1 |
| 14 | 1033-H | Bushing | 1 |
| 15 | H1040 | Spring | 1 |
| 16 | 102-0770 | Diaphragm Assy. | 1 |
| 17 | 1054-H | O-Ring, Body | 1 |
| 18 | 209406 | Plug, Body, NPT & BSP | 1 |
| 19 | ----- | Valve Body Assy. | 1 |
| 20 | 1009701 | O-Ring, Bleed Plug | 1 |
| 21 | RS100-135-70N | O-Ring, Body Plug | 1 |
| | 102-0847 | SERVICE ITEMS Assy., Kit, Service, 1" & 1.5", P-220 (Includes Items 1-3, 10-12 and 15) | |

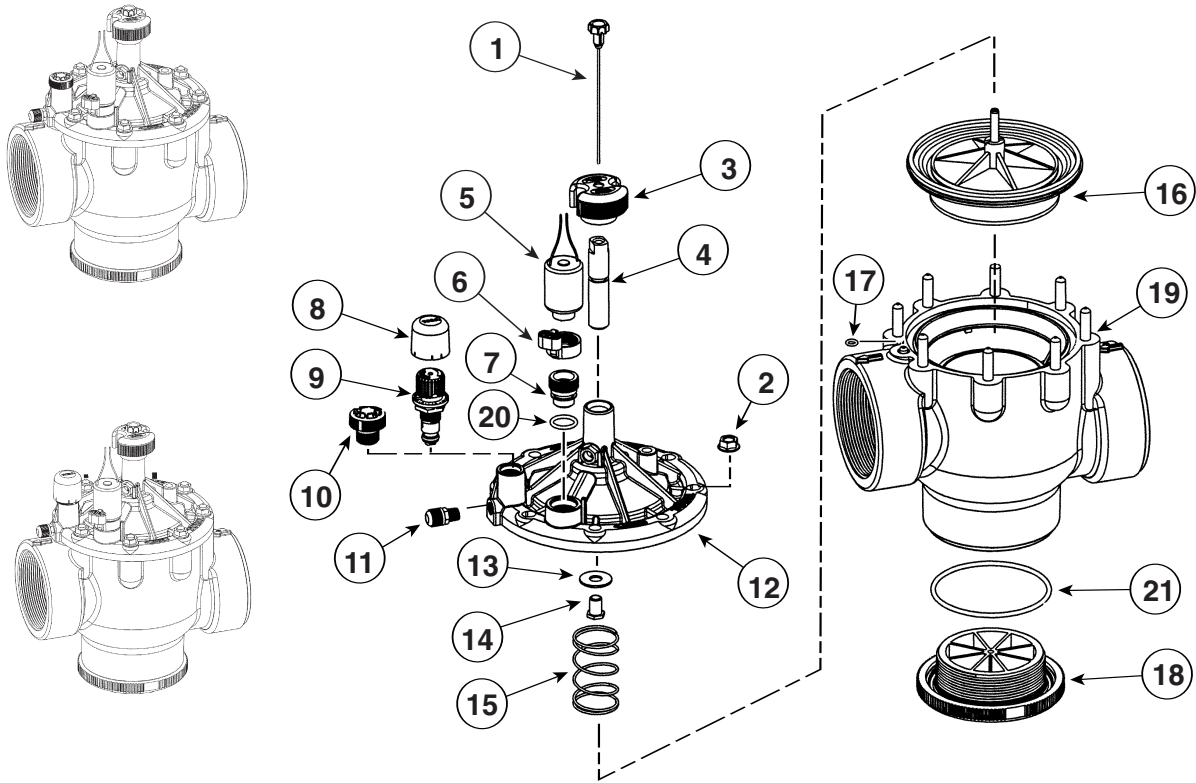
* Order Through Finished Goods Distribution System—Minneapolis

P-220 Series, 2 Inch



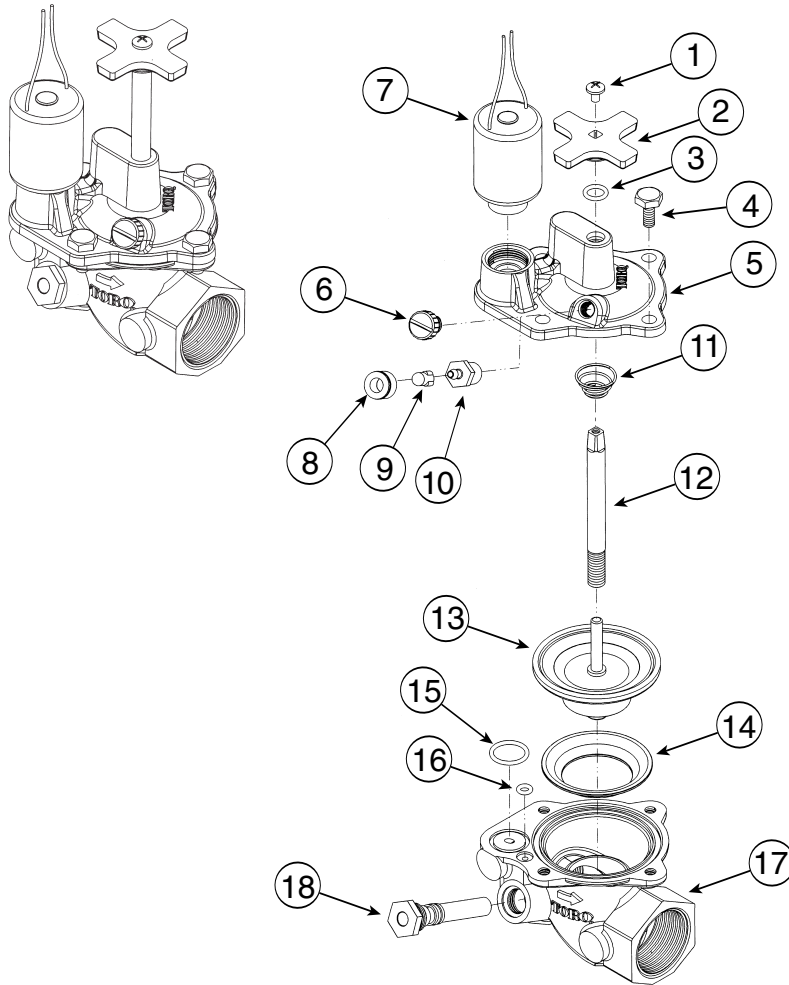
| Item No. | Part No. | Description | Quantity Per Assy. |
|----------|----------------------|---|--------------------|
| 1 | 102-3756 | Metering Rod Assy., P-220 | 1 |
| 2 | 845102 | Hex Nut, Flanged | 9 |
| 3 | 89-9780 | Handle, Flow Control | 1 |
| 4 | 102-0967 | Stem Assy., Flow Control | 1 |
| 5 | 102-0842 | Solenoid Assy., 60 Hz | 1 |
| 5 | 102-0927 | Solenoid Assy., 50 Hz | 1 |
| 6 | 1081501 | Handle, Bleed Plug | 1 |
| 7 | 1009605 | Bleed Plug | 1 |
| 8 | 835203 | Cap, Vandal Resistant | 1 |
| 9 | *EZR-30 | Regulator Module, 30 psi (Includes Item 8) | 1 |
| 9 | *EZR-100 | Regulator Module, 100 psi (Includes Item 8) | 1 |
| 10 | 89-9521 | Blanking Plug Assy. | 1 |
| 11 | 834101 | Valve Assy., Schrader | 1 |
| 12 | 102-0367 | Bonnet Assy. | 1 |
| 13 | 1126 | Stem Washer | 1 |
| 14 | 1033-H | Bushing | 1 |
| 15 | 1041 | Spring | 1 |
| 16 | 934501 | Diaphragm Assy. | 1 |
| 17 | 1054-H | O-Ring, Body | 1 |
| 18 | 209506-H | Plug, Body, NPT | 1 |
| 18 | 209507 | Plug, Body, BSP | 1 |
| 19 | ----- | Valve Body Assy. | 1 |
| 20 | 1009701 | O-Ring, Bleed Plug | 1 |
| 21 | 935901 | O-Ring, Body Plug | 1 |
| | SERVICE ITEMS | | |
| | 102-0848 | Assy., Kit, Service, 2" & 3" P-220 (Includes Items 1-3, 10-12 and 15) | |
| | | * Order Through Finished Goods Distribution System—Minneapolis | |

P-220 Series, 3 Inch



| Item No. | Part No. | Description | Quantity Per Assy. |
|----------|---------------|---|--------------------|
| 1 | 102-3756 | Metering Rod Assy., P-220 | 1 |
| 2 | 845102 | Hex Nut, Flanged | 9 |
| 3 | 89-9780 | Handle, Flow Control | 1 |
| 4 | 102-0967 | Stem Assy., Flow Control | 1 |
| 5 | 102-0842 | Solenoid Assy., 60 Hz | 1 |
| 5 | 102-0927 | Solenoid Assy., 50 Hz | 1 |
| 6 | 1081501 | Handle, Bleed Plug | 1 |
| 7 | 1009605 | Bleed Plug | 1 |
| 8 | 835203 | Vandal Cap | 1 |
| 9 | *EZR-30 | Regulator Module, 30 psi (Includes Item 8) | 1 |
| 9 | *EZR-100 | Regulator Module, 100 psi (Includes Item 8) | 1 |
| 10 | 89-9521 | Blanking Plug Assy. | 1 |
| 11 | 834101 | Valve Assy., Schrader | 1 |
| 12 | 102-0367 | Bonnet Assy. | 1 |
| 13 | 1126 | Stem Washer | 1 |
| 14 | 1033-H | Bushing | 1 |
| 15 | 1041 | Spring | 1 |
| 16 | 935001 | Diaphragm Assy. | 1 |
| 17 | 1054-H | O-Ring, Body | 1 |
| 18 | 209605-H | Plug, Body, NPT | 1 |
| 18 | 209606-H | Plug, Body, BSP | 1 |
| 19 | ----- | Valve Body Assy. | 1 |
| 20 | 1009701 | O-Ring, Bleed Plug | 1 |
| 21 | RS100-238-70N | O-Ring, Body Plug | 1 |
| | | SERVICE ITEMS | |
| | 102-0848 | Assy., Kit, Service, 2" & 3" P-220 (Includes Items 1-3, 10-12 and 15) | |
| | | * Order Through Finished Goods Distribution System—Minneapolis | |

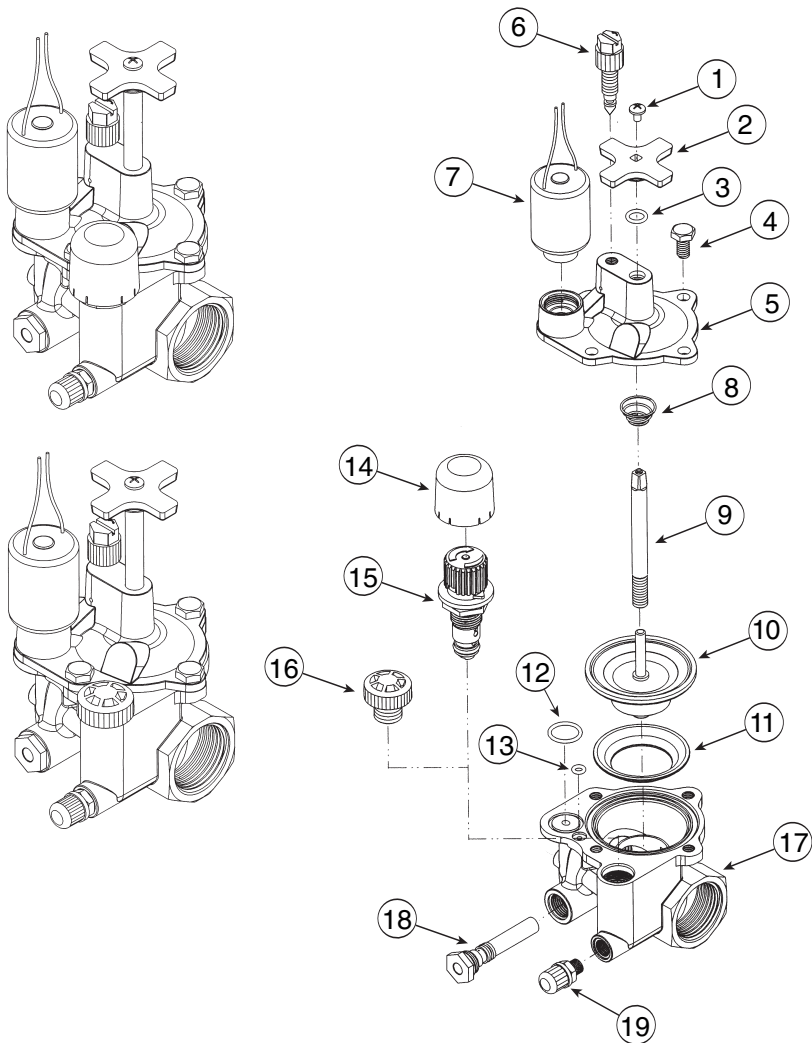
220 Series, 1 Inch (Previous 210 Series, 1 Inch)



| Item No. | Part No. | Description | Quantity Per Assy. |
|----------|----------|--------------------------------------|--------------------|
| 1 | 360-0498 | Screw, Machine 8-32 x 1/4" | |
| 2 | 9-4527 | Handle, Cross | 1 |
| 3 | 360-0107 | O-Ring, 0.070" x 0.301" x 0.441" | 1 |
| 4 | 360-0595 | Screw, Machine, 1/4-20 x 1/2" | 4 |
| 5 | 89-9542 | Cap, Valve, EL | 1 |
| 5 | 89-5823 | Cap, Valve, NO | 1 |
| 6 | 89-9566 | Screw Assy., External Bleed, EL | 1 |
| 7 | 102-0842 | Solenoid Assy., 24 V a.c., 60 Hz | 1 |
| 7 | 102-0927 | Solenoid Assy., 24 V a.c., 50 Hz | 1 |
| 8 | *1-1108 | Retainer, Tube, NO | 1 |
| 9 | 89-8157 | Cap, 1/4" Poly, NO | 1 |
| 10 | 3-3362 | Adapter, 1/8 NPT x 1/4" Poly, NO | 1 |
| 11 | 9-5146 | Spring, Diaphragm | 1 |
| 12 | 89-6507 | Stem, Flow Control | 1 |
| 13 | 9-5359 | Diaphragm Assy., 1.5" & 1.25" Brass | 1 |
| 14 | 35-2639 | Support, Diaphragm | 1 |
| 15 | 360-0220 | O-Ring, 0.070" x 0.551" x 0.691", EL | 1 |
| 16 | 360-0530 | O-Ring, 0.070" x 0.145" x 0.285", EL | 1 |
| 17 | ----- | Body, Brass | 1 |
| 18 | 102-0690 | Filter Assy., Metering, 1" & 1.5" | 1 |

* Order Through Finished Goods Distribution System—Minneapolis

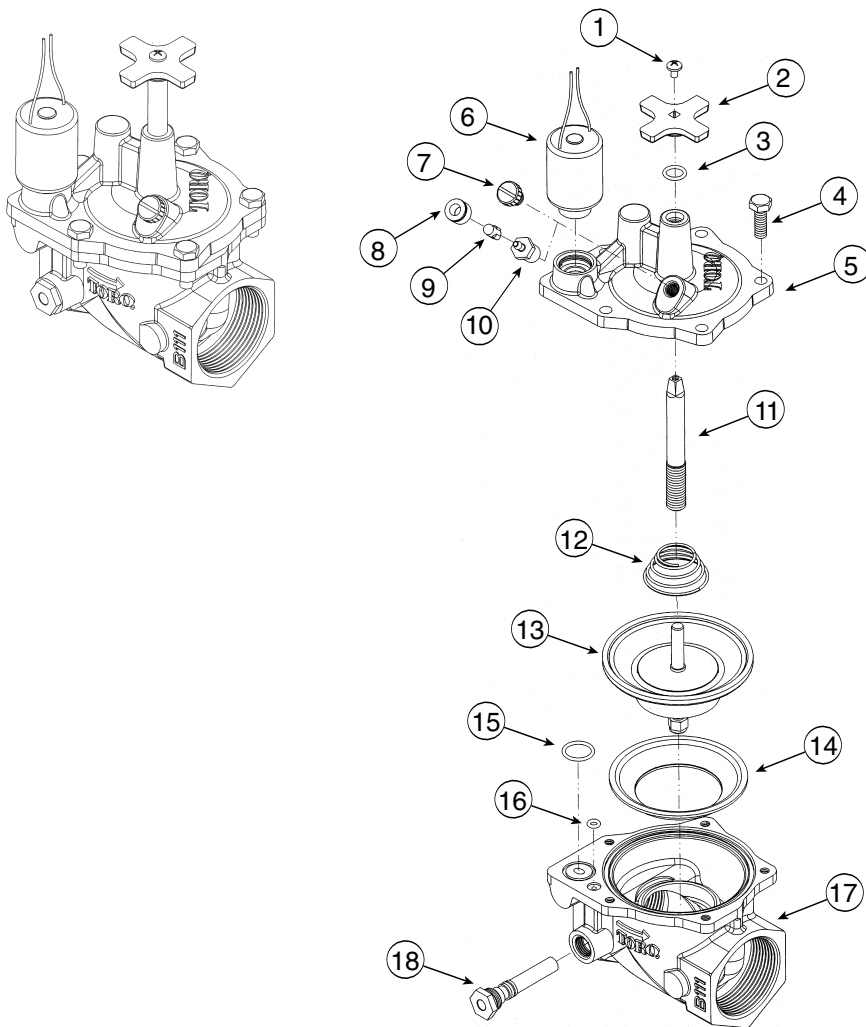
220 Series, 1 Inch, Pressure Regulated



| Item No. | Part No. | Description | Quantity Per Assy. |
|----------|----------|--|--------------------|
| 1 | 360-0498 | Screw, Machine 8-32 x 1/4" | 1 |
| 2 | 9-4527 | Handle, Cross | 1 |
| 3 | 360-0107 | O-Ring, 0.070" x 0.301" x 0.441" | 1 |
| 4 | 360-0595 | Screw, Machine, 1/4-20 x 1/2" | 4 |
| 5 | 89-9538 | Cap, Valve | 1 |
| 6 | 102-0208 | Bleed Screw Assy. | 1 |
| 7 | 102-0842 | Solenoid Assy., 24 V a.c., 60 Hz | 1 |
| 7 | 102-0927 | Solenoid Assy., 24 V a.c., 50 Hz | 1 |
| 8 | 9-5146 | Spring, Diaphragm | 1 |
| 9 | 89-6507 | Stem, Flow Control | 1 |
| 10 | 9-5359 | Diaphragm Assy., 1" | 1 |
| 11 | 35-2639 | Support, Diaphragm | 1 |
| 12 | 360-0220 | O-Ring, 0.070" x 0.551" x 0.691" | 1 |
| 13 | 360-0530 | O-Ring, 0.707" x 0.145" x 0.285" | 1 |
| 14 | 835203 | Cap, Vandal Resistant | 1 |
| 15 | *EZR-30 | Regulator Module, 30 psi (Includes Item 14) | 1 |
| 15 | *EZR-100 | Regulator Module, 100 psi (Includes Item 14) | 1 |
| 16 | 89-9521 | Blanking Plug Assy. | 1 |
| 17 | ----- | Body, Brass (Pressure Regulated) | 1 |
| 18 | 102-0690 | Filter Assy., Metering, 1"-1.5" | 1 |
| 19 | 834101 | Valve Assy., Schrader | 1 |

* Order Through Finished Goods Distribution System—Minneapolis

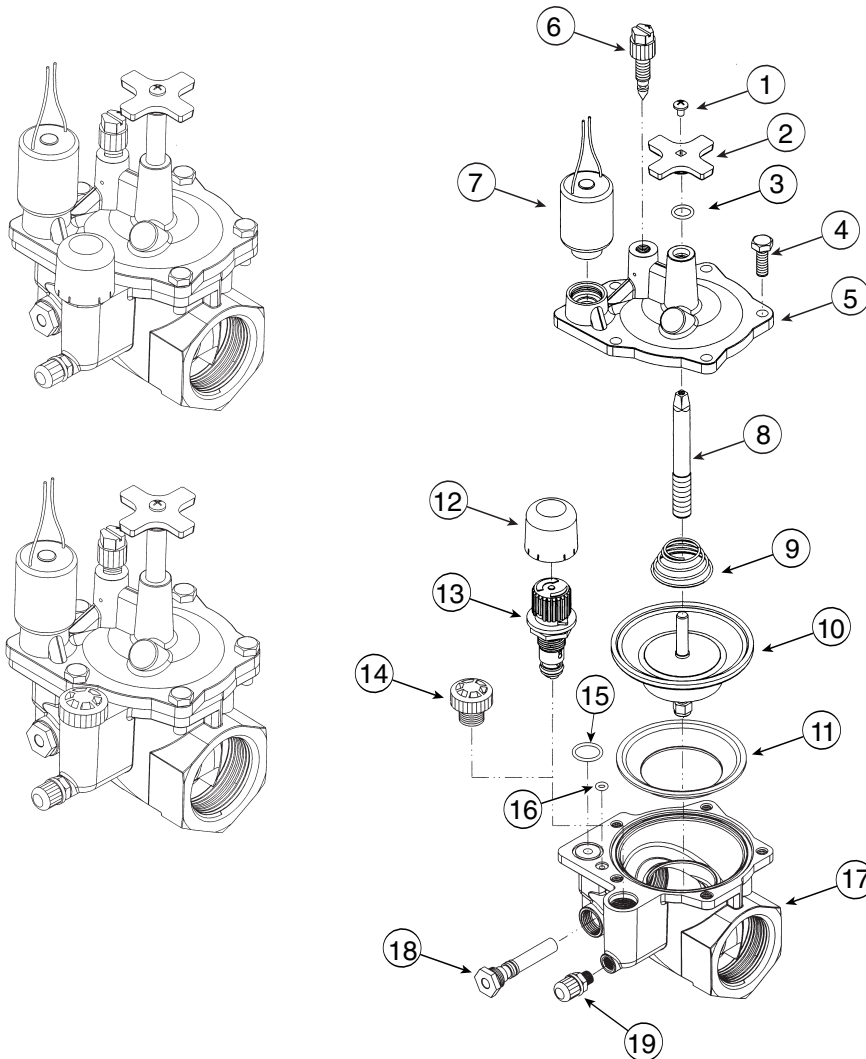
220 Series, 1.25 and 1.5 Inch (Previous 210 Series, 1.25 and 1.5 Inch)



| Item No. | Part No. | Description | Quantity Per Assy. |
|----------|----------|--------------------------------------|--------------------|
| 1 | 360-0498 | Screw, Machine 8-32 x 1/4" | 1 |
| 2 | 9-4527 | Handle, Cross | 1 |
| 3 | 360-0493 | O-Ring, 0.070" x 0.364" x 0.504" | 1 |
| 4 | 360-0499 | Screw, Machine, 1/4-20 x 3/4" | 5 |
| 5 | 89-9543 | Cap, Valve, EL | 1 |
| 5 | 89-5827 | Cap, Valve, NO | 1 |
| 6 | 102-0842 | Solenoid Assy., 24 V a.c., 60 Hz | 1 |
| 6 | 102-0927 | Solenoid Assy., 24 V a.c., 50 Hz | 1 |
| 7 | 89-9566 | Screw Assy., External Bleed, EL | 1 |
| 8 | *1-1108 | Retainer Tube, NO | 1 |
| 9 | 89-8157 | Cap, 1/4" Poly, NO. | 1 |
| 10 | 3-3362 | Adapter, 1/8 NPT x 1/4" Poly, NO | 1 |
| 11 | 9-4424 | Stem, Flow Control | 1 |
| 12 | 102-0637 | Spring, Diaphragm | 1 |
| 13 | 9-5361 | Diaphragm Assy., 1.5" & 1.25" | 1 |
| 14 | 35-2452 | Support, Diaphragm | 1 |
| 15 | 360-0220 | O-Ring, 0.070" x 0.551" x 0.691", EL | 1 |
| 16 | 360-0530 | O-Ring, 0.070" x 0.145" x 0.285", EL | 1 |
| 17 | ----- | Body, Brass | 1 |
| 18 | 102-0690 | Filter Assy., Metering 1"-1.5" | 1 |

* Order Through Finished Goods Distribution System—Minneapolis

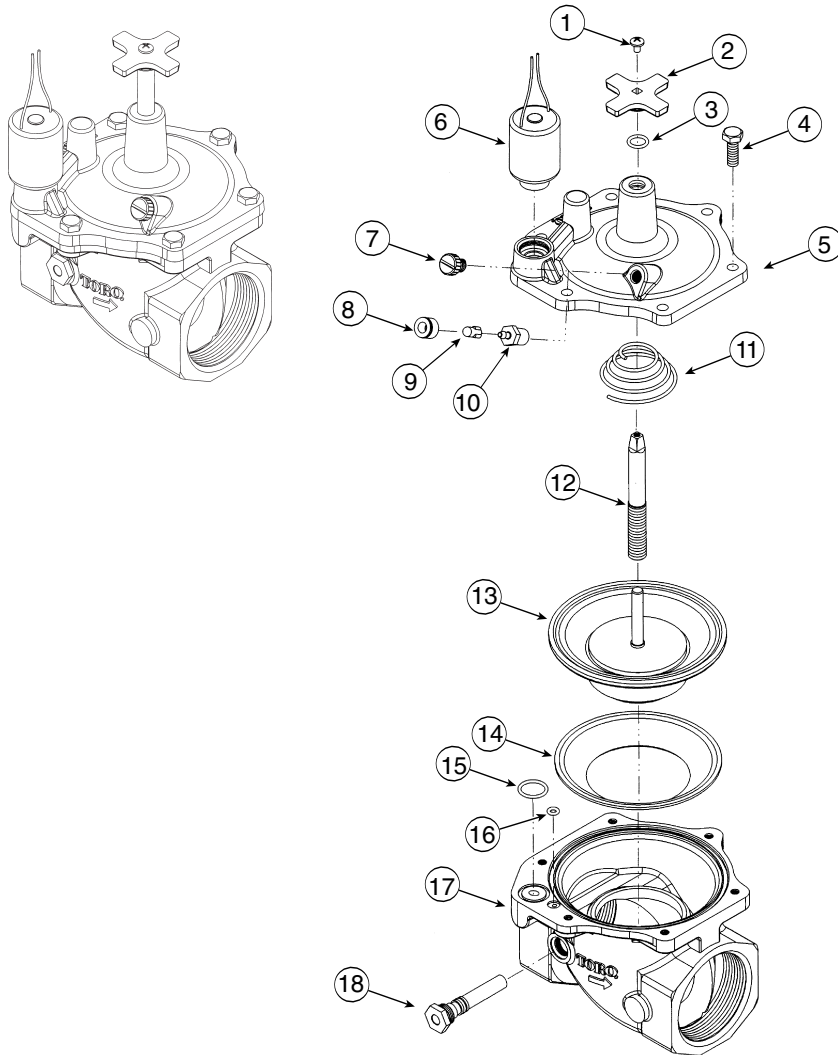
220 Series, 1.25 and 1.5 Inch, Pressure Regulated



| Item No. | Part No. | Description | Quantity Per Assy. |
|----------|----------|---|--------------------|
| 1 | 360-0498 | Screw, Machine 8-32 x 1/4" | 1 |
| 2 | 9-4527 | Handle, Cross | 1 |
| 3 | 360-0493 | O-Ring, 0.070" x 0.364" x 0.504" | 1 |
| 4 | 360-0499 | Screw, Machine, 1/4-20 x 3/4" | 5 |
| 5 | 89-9539 | Cap, Valve | 1 |
| 6 | 102-0208 | Bleed Screw Assy. | 1 |
| 7 | 102-0842 | Solenoid Assy., 24 V a.c., 60 Hz | 1 |
| 7 | 102-0927 | Solenoid Assy., 24 V a.c., 50 Hz | 1 |
| 8 | 9-4424 | Stem, Flow Control | 1 |
| 9 | 102-0637 | Spring, Diaphragm | 1 |
| 10 | 9-5361 | Diaphragm Assy. | 1 |
| 11 | 35-2452 | Support, Diaphragm | 1 |
| 12 | 835203 | Vandal Cap | 1 |
| 13 | *EZR-30 | Regulator Module, 30 psi (Includes Item 12) | 1 |
| 13 | *EZR-100 | Regulator Module, 100 psi Includes Item 12) | 1 |
| 14 | 89-9521 | Blanking Plug Assy. | 1 |
| 15 | 360-0220 | O-Ring, 0.070" x 0.551" x 0.691" | 1 |
| 16 | 360-0530 | O-Ring, 0.070" x 0.145" x 0.285" | 1 |
| 17 | ----- | Body, Brass (Pressure Regulated) | 1 |
| 18 | 102-0691 | Filter Assy., Metering, 1"-1.5" | 1 |
| 19 | 834101 | Valve Assy., Schrader | 1 |

* Order Through Finished Goods Distribution System—Minneapolis

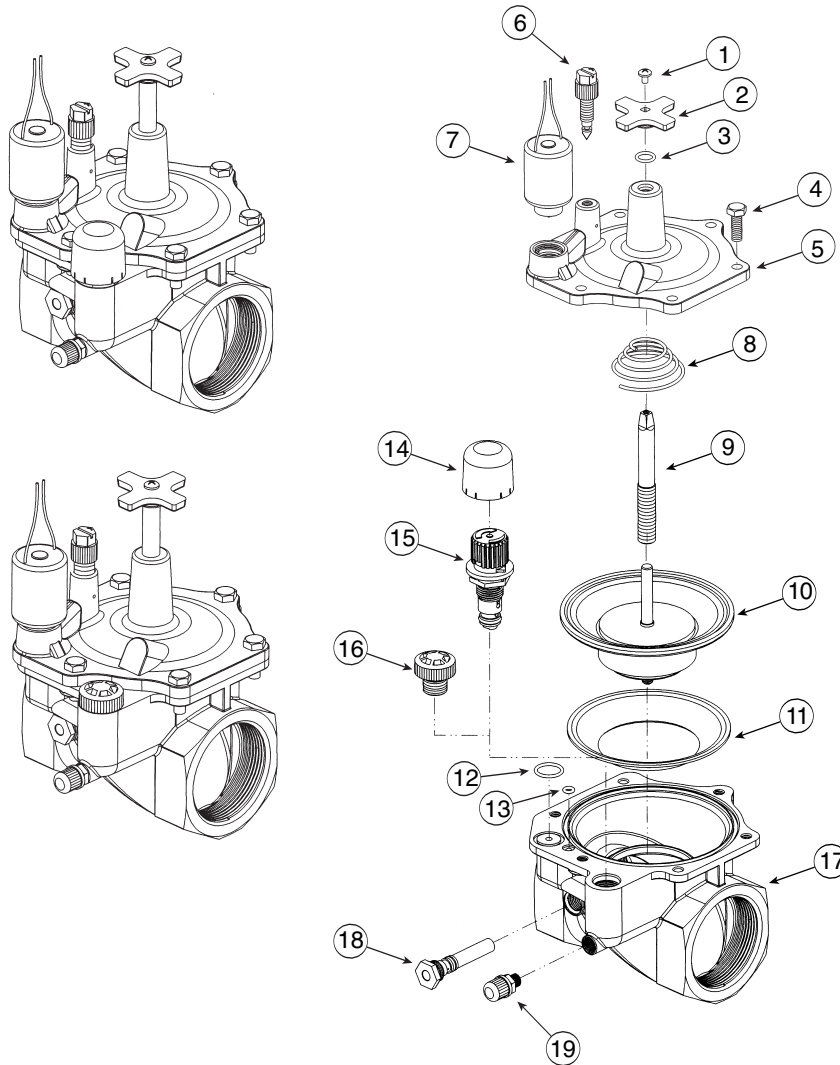
220 Series, 2 Inch (Previous 210 Series, 2 Inch)



| Item No. | Part No. | Description | Quantity Per Assy. |
|----------|----------|--------------------------------------|--------------------|
| 1 | 360-0498 | Screw, Machine 8-32 x 1/4" | 1 |
| 2 | 9-4527 | Handle, Cross | 1 |
| 3 | 360-0493 | O-Ring, 0.070" x 0.364" x 0.504" | 1 |
| 4 | 360-0499 | Screw, Machine, 1/4-20 x 3/4" | 6 |
| 5 | 89-9544 | Cap, Valve, EL | 1 |
| 5 | 89-5831 | Cap, Valve, NO | 1 |
| 6 | 102-0842 | Solenoid Assy., 24 V a.c., 60 Hz | 1 |
| 6 | 102-0927 | Solenoid Assy., 24 V a.c., 50 Hz | 1 |
| 7 | 89-9566 | Screw Assy., External Bleed, EL | 1 |
| 8 | *1-1108 | Retainer Tube, NO | 1 |
| 9 | 89-8157 | Cap, 1/4" Poly, NO | 1 |
| 10 | 3-3362 | Adapter, 1/8 NPT x 1/4 Poly, NO. | 1 |
| 11 | 89-1652 | Spring, Diaphragm | 1 |
| 12 | 9-4543 | Stem, Flow Control | 1 |
| 13 | 9-5363 | Diaphragm Assy., 2" | 1 |
| 14 | 9-4541 | Support, Diaphragm | 1 |
| 15 | 360-0220 | O-Ring, 0.070" x 0.551" x 0.691", EL | 1 |
| 16 | 360-0530 | O-Ring, 0.070" x 0.145" x 0.285", EL | 1 |
| 17 | - - - - | Body, Brass | 1 |
| 18 | 102-0691 | Filter Assy., Metering, 2" | 1 |

* Order Through Finished Goods Distribution System—Minneapolis

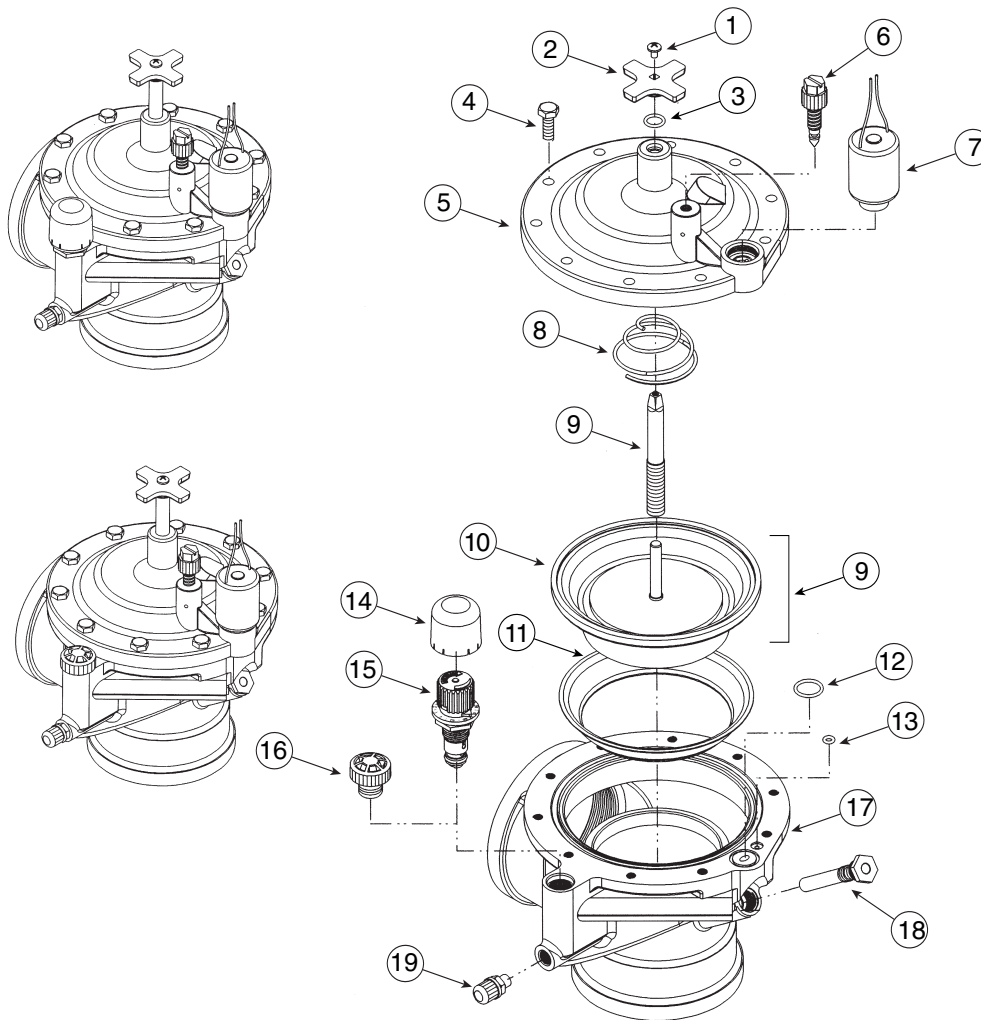
220 Series, 2 Inch, Pressure Regulated



| Item No. | Part No. | Description | Quantity Per Assy. |
|----------|----------|--|--------------------|
| 1 | 360-0498 | Screw, Machine 8-32 x 1/4" | 1 |
| 2 | 9-4527 | Handle, Cross | 1 |
| 3 | 360-0493 | O-Ring, 0.070" x 0.364" x 0.504" | 1 |
| 4 | 360-0499 | Screw, Machine, 1/4-20 x 3/4" | 6 |
| 5 | 89-9540 | Cap, Valve | 1 |
| 6 | 102-0208 | Bleed Screw Assy. | 1 |
| 7 | 102-0842 | Solenoid Assy., 24 V a.c., 60 Hz | 1 |
| 7 | 102-0927 | Solenoid Assy., 24 V a.c., 50 Hz | 1 |
| 8 | 89-1652 | Spring, Diaphragm | 1 |
| 9 | 9-4543 | Stem, Flow Control | 1 |
| 10 | 9-5363 | Diaphragm Assy. | 1 |
| 11 | 9-4541 | Support, Diaphragm | 1 |
| 12 | 360-0220 | O-Ring, 0.070" x 0.551" x 0.691" | 1 |
| 13 | 360-0530 | O-Ring, 0.070" x 0.145" x 0.285" | 1 |
| 14 | 835203 | Cap, Vandal Resistant | 1 |
| 15 | *EZR-30 | Regulator Module, 30 psi (Includes Item 14) | 1 |
| 15 | *EZR-100 | Regulator Module, 100 psi (Includes Item 14) | 1 |
| 16 | 89-9521 | Blanking Plug Assy. | 1 |
| 17 | ----- | Body, Brass | 1 |
| 18 | 102-0691 | Filter Assy., Metering, 2" | 1 |
| 19 | 834101 | Valve Assy., Schrader | 1 |

* Order Through Finished Goods Distribution System—Minneapolis

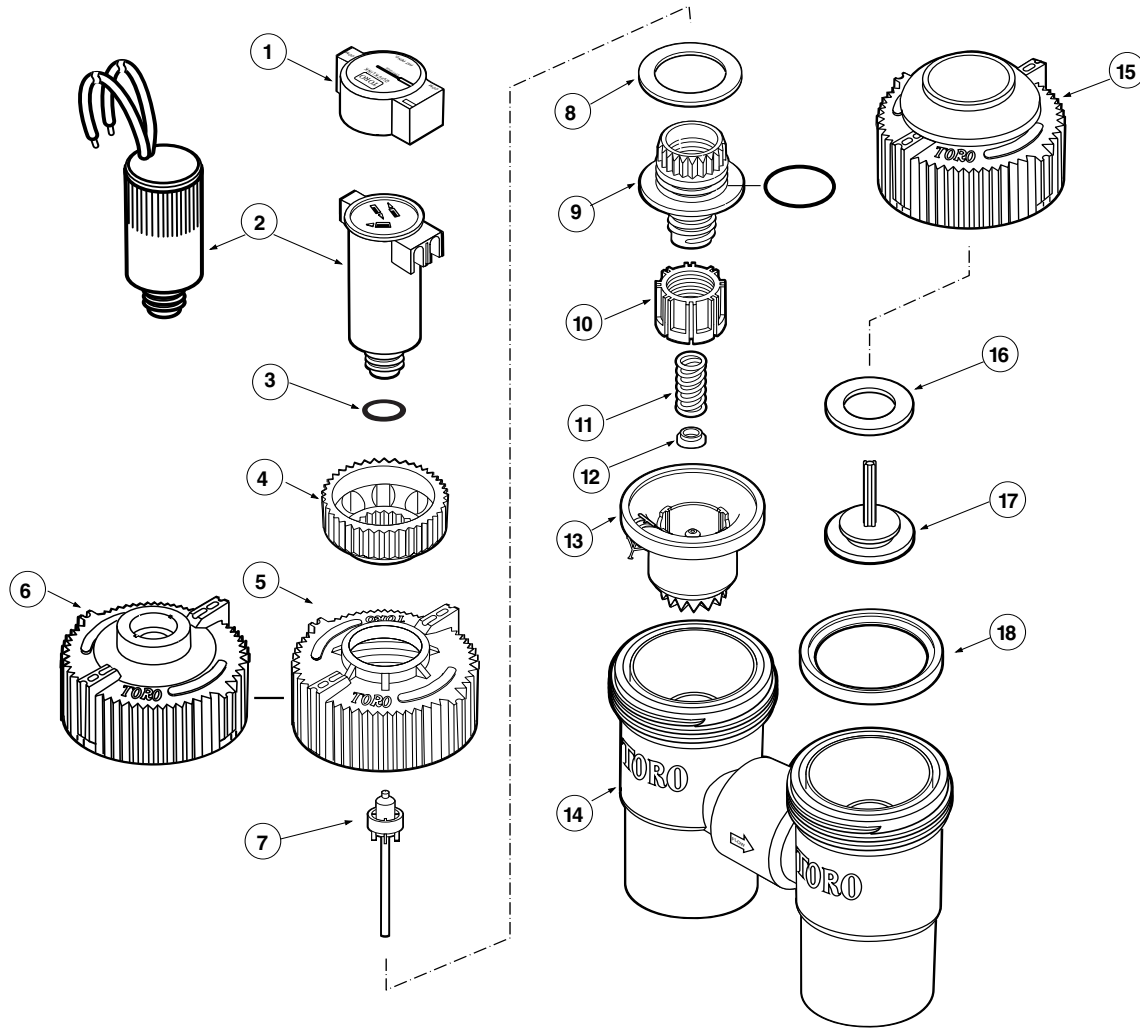
220 Series, 2.5 and 3 Inch



| Item No. | Part No. | Description | Quantity Per Assy. |
|----------|----------|--|--------------------|
| 1 | 360-0498 | Screw, Machine #8-32 x 1/4" | 1 |
| 2 | 9-4527 | Handle, Cross | 1 |
| 3 | 360-0493 | O-Ring, 0.070" x 0.364" x 0.504" | 1 |
| 4 | 360-0499 | Screw, Machine, 1/4-20 x 3/4" | 10 |
| 5 | 89-9541 | Cap, Valve | 1 |
| 6 | 102-0208 | Bleed Screw Assy. | 1 |
| 7 | 102-0842 | Solenoid Assy., 24 V a.c., 60 Hz | 1 |
| 7 | 102-0927 | Solenoid Assy., 24 V a.c., 50 Hz | 1 |
| 8 | 89-1744 | Spring, Diaphragm | 1 |
| 9 | 9-4543 | Stem, Flow Control | 1 |
| 10 | 89-6421 | Diaphragm Assy. | 1 |
| 11 | 89-8126 | Support, Diaphragm | 1 |
| 12 | 360-0220 | O-Ring, 0.070" x 0.551" x 0.691" | 1 |
| 13 | 360-0530 | O-Ring, 0.070" x 0.145" x 0.285" | 1 |
| 14 | 835203 | Cap, Vandal Resistant | 1 |
| 15 | *EZR-30 | Regulator Module, 30 psi (Includes Item 12) | 1 |
| 15 | *EZR-100 | Regulator Module, 100 psi (Includes Item 12) | 1 |
| 16 | 89-9521 | Blanking Plug Assy. | 1 |
| 17 | ----- | Body, Brass | 1 |
| 18 | 102-0692 | Filter Assy., Metering | 1 |
| 19 | 834101 | Valve Assy., Schrader | 1 |

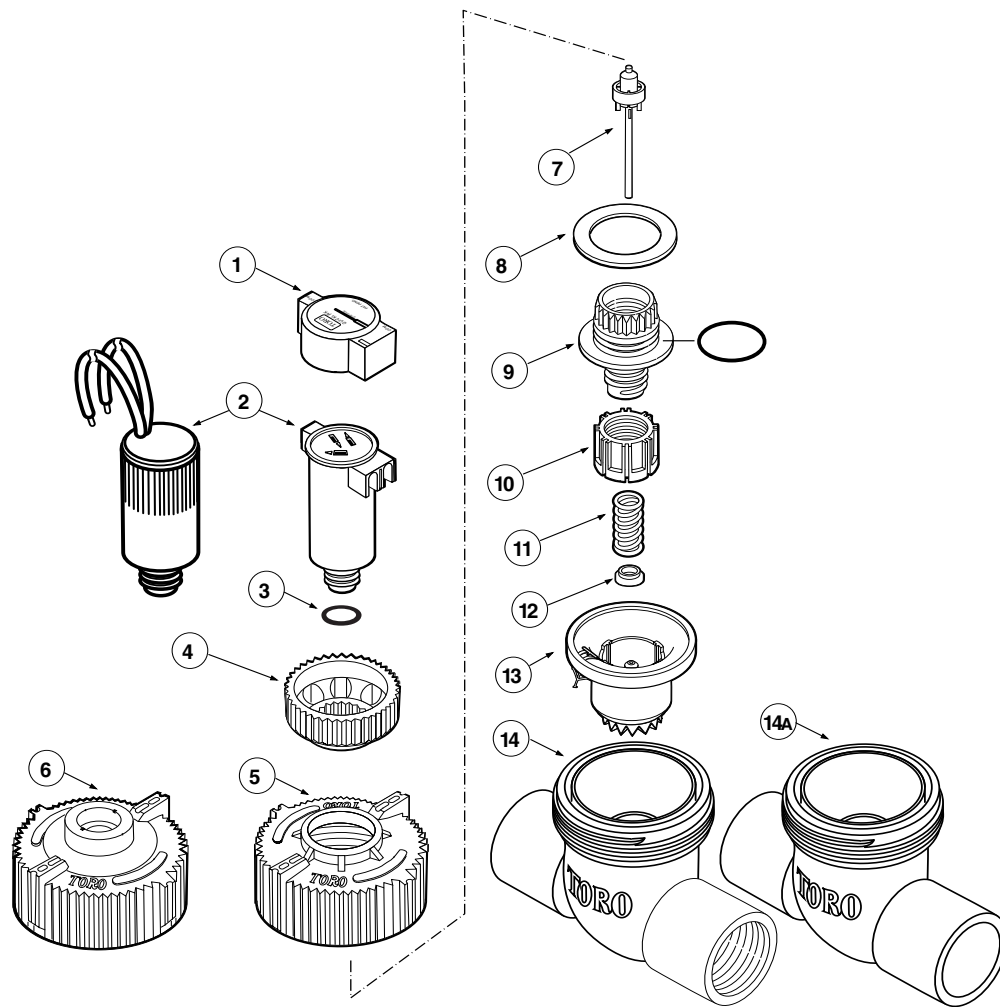
* Order Through Finished Goods Distribution System—Minneapolis

Flo-Pro Series, 3/4 & 1 Inch AVB



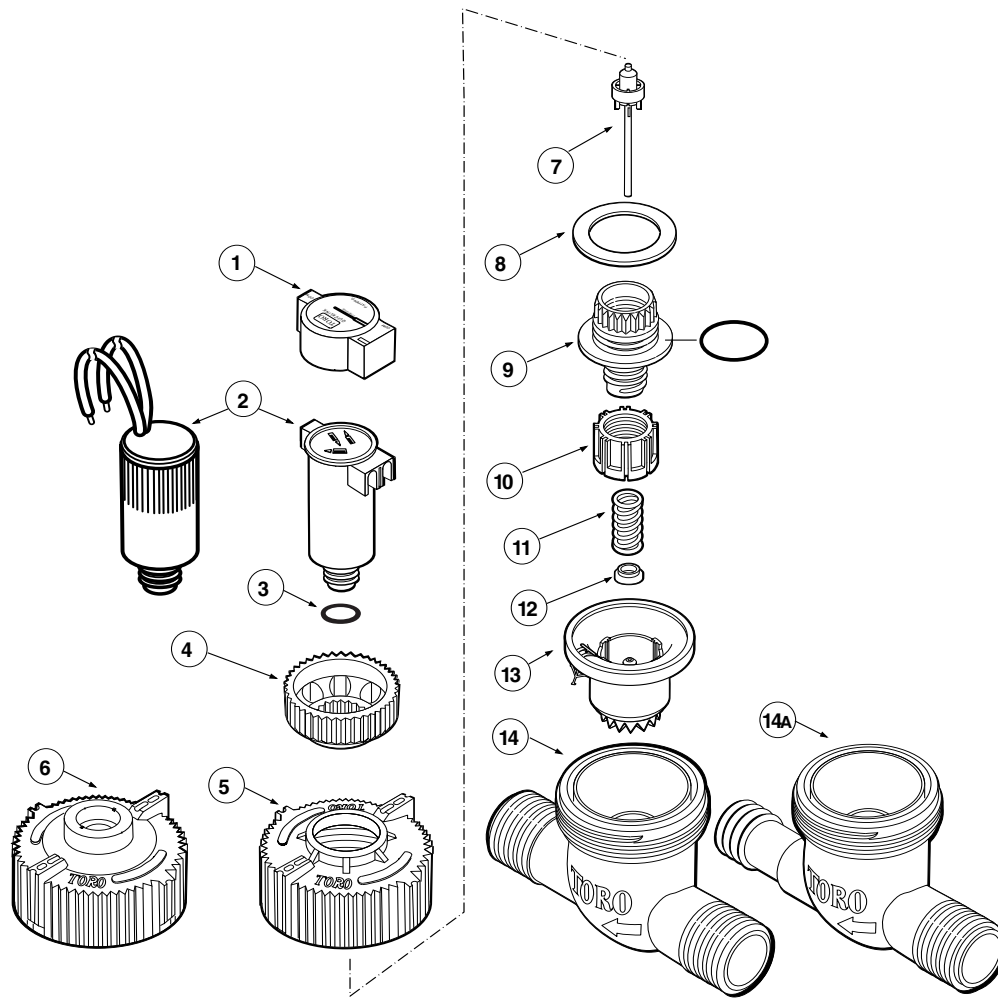
| Item No. | Part No. | Description | Quantity Per Assy. |
|----------|----------|--|--------------------|
| 1 | 89-0880 | Cap, Solenoid | 1 |
| 2 | 89-0889 | Solenoid Assy. w/o Wires (Includes Item 3) | 1 |
| 2 | 89-0114 | Solenoid Assy. w/Wires (Includes Item 3) | 1 |
| 3 | 363-3138 | O-Ring, 0.070" x 0.614" | 1 |
| 4 | 35-8292 | Knob (Flow Control Models) | 1 |
| 5 | 89-9987 | Cap (Flow Control Models) | 1 |
| 6 | 89-9986 | Cap (w/o Flow Control) | 1 |
| 7 | 89-0069 | Seat Assy., Discharge | 1 |
| 8 | 89-1155 | Washer, Teflon (Flow Control Models) | 1 |
| 9 | ----- | Stem Assy., Flow Control (See Service Item 89-0142) | 1 |
| 10 | ----- | Nut, Flow Control (See Service Item 89-0142) | 1 |
| 11 | 89-2042 | Spring, Diaphragm | 1 |
| 12 | 89-3423 | Bearing, Spring Sleeve (Flow Control Models) | 1 |
| 13 | 89-9861 | Diaphragm Assy. (Rubber, w/ Black Center Cup) | 1 |
| 14 | 89-0665 | Body Assy., AVB, 1" | 1 |
| 14 | 89-1265 | Body Assy., AVB, 3/4" | 1 |
| 15 | 89-0120 | Cap Assy. | 1 |
| 16 | 35-8305 | Seat, Float | 1 |
| 17 | 35-8304 | Float | 1 |
| 18 | 89-1020 | Seal | 1 |
| | | SERVICE ITEMS | |
| | 89-4104 | Drip Kit (Includes Items 9–12) | |
| | 89-0142 | Stem Assy., Flow Control (Includes Items 9, 10 and O-Ring) | |
| | 89-2031 | Diaphragm Assy., Old Style (Blue Debris Arrestor w/White Center Cup) | |

Flo-Pro Series, 1 Inch Female



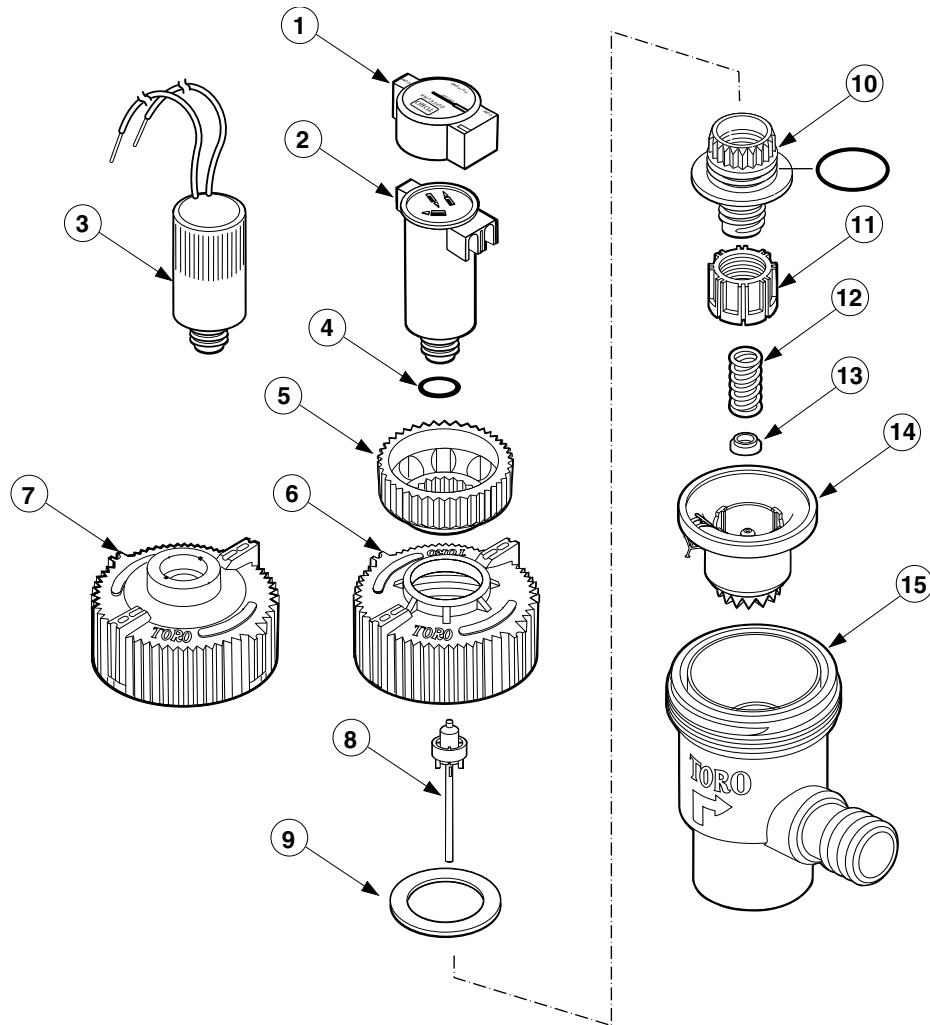
| Item No. | Part No. | Description | Quantity Per Assy. |
|----------|----------|--|--------------------|
| 1 | 89-0880 | Cap, Solenoid | 1 |
| 2 | 89-0889 | Solenoid Assy. w/o Wires (Includes Item 3) | 1 |
| | 89-0114 | Solenoid Assy. w/Wires (Includes Item 3) | 1 |
| 3 | 363-3138 | O-Ring, 1/6" x 5/8" | 1 |
| 4 | 35-8292 | Knob (Flow Control Models) | 1 |
| 5 | 89-9987 | Cap (Flow Control Models) | 1 |
| 6 | 89-9986 | Cap (w/o Flow Control) | 1 |
| 7 | 89-0069 | Seat Assy., Discharge | 1 |
| 8 | 89-1155 | Washer, Teflon (Flow Control Models) | 1 |
| 9 | ----- | Stem Assy., Flow Control (See Service Item 89-0142) | 1 |
| 10 | ----- | Nut, Flow Control (See Service Item 89-0142) | 1 |
| 11 | 89-2042 | Spring, Diaphragm (Flow Control Models) | 1 |
| 12 | 89-3423 | Bearing, Spring Sleeve (Flow Control Models) | 1 |
| 13 | 89-9861 | Diaphragm Assy. (Rubber, w/Black Center Cup) | 1 |
| 14 | 35-8234 | Body, 1", F x F, NPT | 1 |
| 14 | 35-8235 | Body, 1", F x F, BSP | 1 |
| 14A | 35-8233 | Body, 1", F x F, Slip | 1 |
| | | SERVICE ITEMS | |
| | 89-4104 | Drip Kit, Flow Control (Includes Items 9-12) | |
| | 89-0142 | Stem Assy., Flow Control (Includes Items 9, 10 and O-Ring) | |
| | 89-0993 | Diaphragm Assy., Old Style (Red Debris Arrestor, w/White Center Cup) | |

Flo-Pro Series, 1 Inch Male



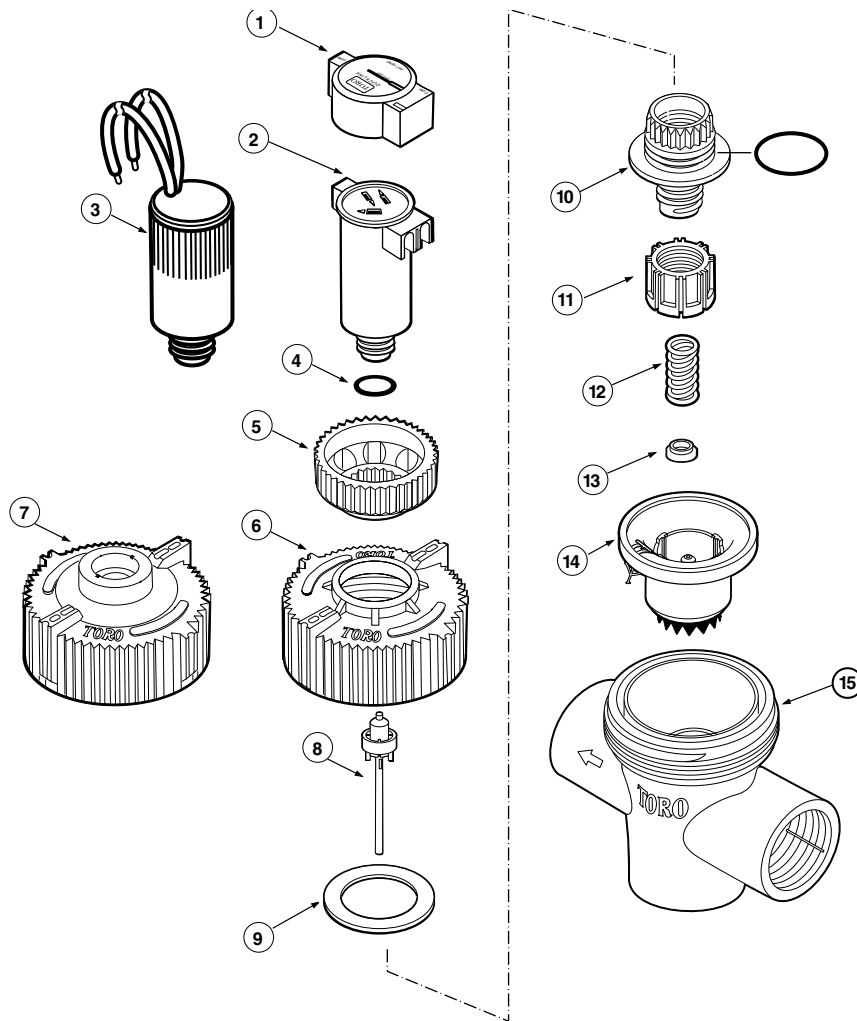
| Item No. | Part No. | Description | Quantity Per Assy. |
|----------|----------|--|--------------------|
| 1 | 89-0880 | Cap, Solenoid | 1 |
| 2 | 89-0889 | Solenoid Assy. w/o Wires (Includes Item 3) | 1 |
| 2 | 89-0114 | Solenoid Assy. w/Wires (Includes Item 3) | 1 |
| 3 | 363-3138 | O-Ring, 1/6" x 5/8" | 1 |
| 4 | 35-8292 | Knob (Flow Control Models) | 1 |
| 5 | 89-9987 | Cap (Flow Control Models) | 1 |
| 6 | 89-9986 | Cap (w/o Flow Control) | 1 |
| 7 | 89-0069 | Seat Assy., Discharge | 1 |
| 8 | 89-1155 | Washer, Teflon (Flow Control Models) | 1 |
| 9 | ----- | Stem Assy., Flow Control (See Service Item 89-0142) | 1 |
| 10 | ----- | Nut, Flow Control (See Service Item 89-0142) | 1 |
| 11 | 89-2042 | Spring, Diaphragm (Flow Control Models) | 1 |
| 12 | 89-3423 | Bearing, Spring Sleeve (Flow Control Models) | 1 |
| 13 | 89-9861 | Diaphragm Assy. (Rubber, w/Black Center Cup) | 1 |
| 14 | 35-8192 | Body, 1", M x M, NPT | 1 |
| 14 | 35-8226 | Body, 1", M x M, BSP | 1 |
| 14A | 35-8227 | Body, 1", M x B, NPT | 1 |
| | | SERVICE ITEMS | |
| | 89-4104 | Drip Kit, Flow Control (Includes Items 9–12) | |
| | 89-0142 | Stem Assy., Flow Control (Includes Items 9, 10 and O-Ring) | |
| | 89-0993 | Diaphragm Assy., Old Style (Red Debris Arrestor, w/White Center Cup) | |

Flo-Pro Series, 1 Inch Angle



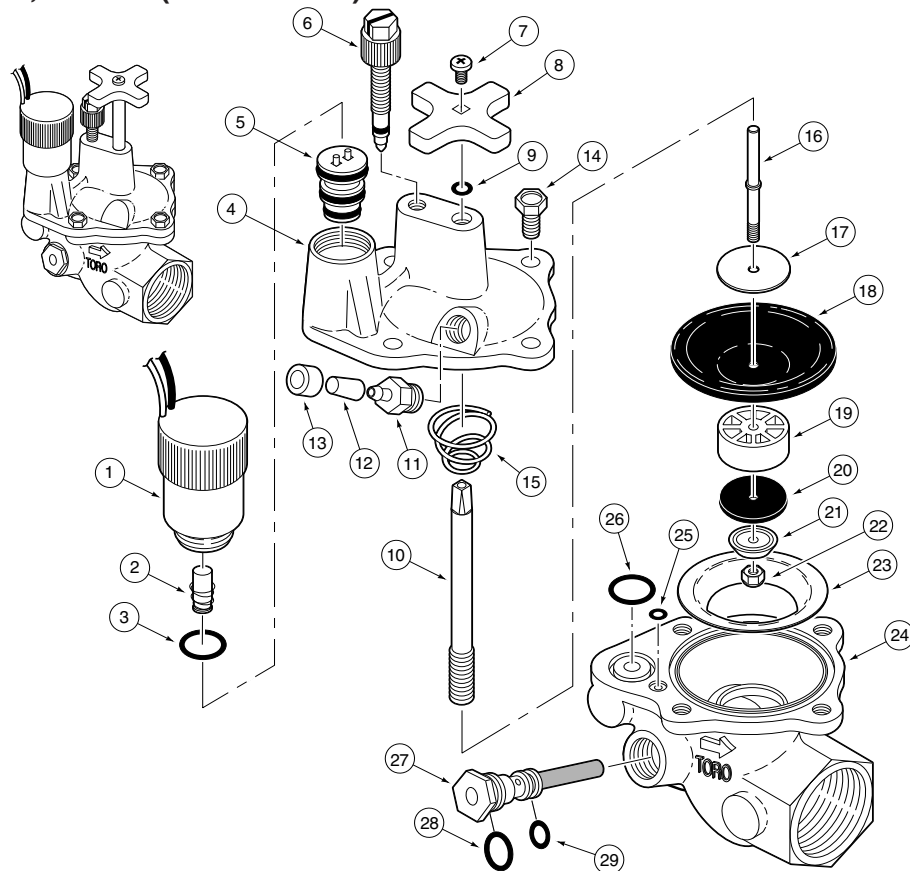
| Item No. | Part No. | Description | Quantity Per Assy. |
|----------|----------|--|--------------------|
| 1 | 89-0880 | Cap, Solenoid | 1 |
| 2 | 89-0889 | Solenoid Assy. w/o wires (Includes Items 1, 2 & 4) | 1 |
| 3 | 89-0114 | Solenoid Assy. with Wires (Includes Item 4) | 1 |
| 4 | 363-3138 | O-Ring, 1/6" x 5/8" | 1 |
| 5 | 35-8292 | Knob (Flow Control Models) | 1 |
| 6 | 89-9987 | Cap (Flow Control Models) | 1 |
| 7 | 89-9986 | Cap w/o Flow Control | 1 |
| 8 | 89-0069 | Seat Assy., Discharge | 1 |
| 9 | 89-1155 | Washer, Teflon (Flow Control Models) | 1 |
| 10 | ----- | Stem Assy., Flow Control (See Service Item 89-0142) | 1 |
| 11 | ----- | Nut, Flow Control (See Service Item 89-0142) | 1 |
| 12 | 89-2042 | Spring, Diaphragm | 1 |
| 13 | 89-3423 | Bearing, Spring Sleeve | 1 |
| 14 | 89-9861 | Diaphragm Assy. (Rubber, w/Black Center Cup) | 1 |
| 15 | 89-3916 | Body Assy., 1" F x B, NPT | 1 |
| | 89-3917 | Body Assy., 1" F x B, BSP | 1 |
| | | SERVICE ITEMS | |
| | 89-4104 | Drip Kit, Flow Control (Includes Items 10–13) | |
| | 89-0142 | Stem Assy., Flow Control (Includes Items 10, 11 and O-Ring) | |
| | 89-0993 | Diaphragm Assy., Old Style (Red Debris Arrestor, w/White Center Cup) | |

Flo-Pro Series, 1 Inch Globe



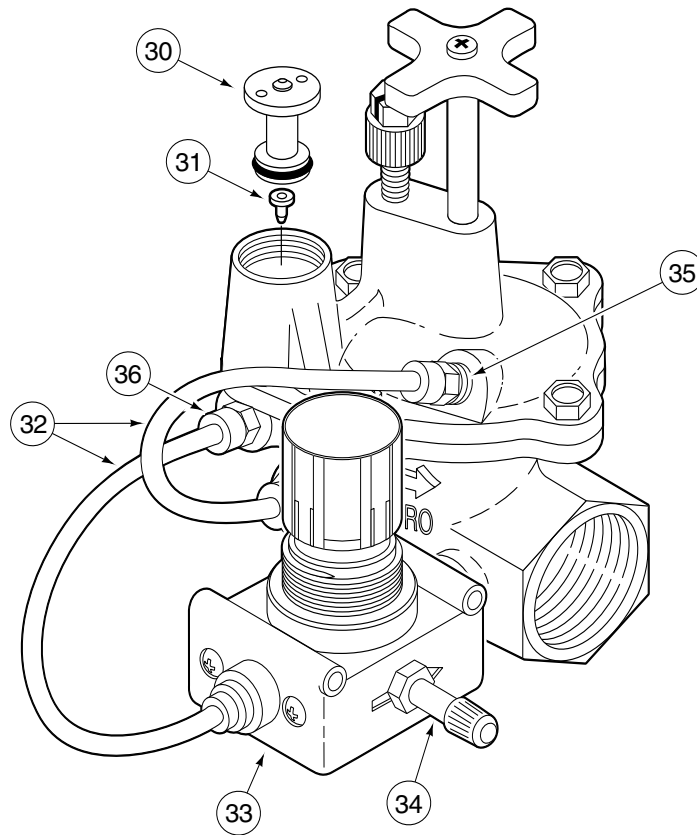
| Item No. | Part No. | Description | Quantity Per Assy. |
|----------|----------|--|--------------------|
| 1 | 89-0880 | Cap, Solenoid | 1 |
| 2 | 89-0889 | Solenoid Assy. w/o Wires (Includes Item 4) | 1 |
| 3 | 89-0114 | Solenoid Assy. with Wires (Includes Item 4) | 1 |
| 4 | 363-3138 | O-Ring, 1/6" x 5/8" | 1 |
| 5 | 35-8292 | Knob (Flow Control Models) | 1 |
| 6 | 89-9987 | Cap (Flow Control Models) | 1 |
| 7 | 89-9986 | Cap (w/o Flow Control) | 1 |
| 8 | 89-0069 | Seat Assy., Discharge | 1 |
| 9 | 89-1155 | Washer, Teflon (Flow Control Models) | 1 |
| 10 | ----- | Stem Assy., Flow Control (See Service Item 89-0142) | 1 |
| 11 | ----- | Nut, Flow Control (See Service Item 89-0142) | 1 |
| 12 | 89-2042 | Spring, Diaphragm | 1 |
| 13 | 89-3423 | Bearing, Spring Sleeve (Flow Control Models) | 1 |
| 14 | 89-9861 | Diaphragm Assy. (Rubber, w/Black Center Cup) | 1 |
| 15 | 89-0117 | Body Assy., 1", F x F x F, NPT | 1 |
| | 89-0118 | Body Assy., 1", F x F x F, BSP | 1 |
| | | SERVICE ITEMS | |
| | 89-4104 | Drip Kit, Flow Control (Includes Items 10–13) | |
| | 89-0142 | Stem Assy., Flow Control (Includes Items 10, 11 and O-Ring) | |
| | 89-0993 | Diaphragm Assy., Old Style (Red Debris Arrestor, w/White Center Cup) | |

216 Series, 1 Inch (Sheet 1 of 2)



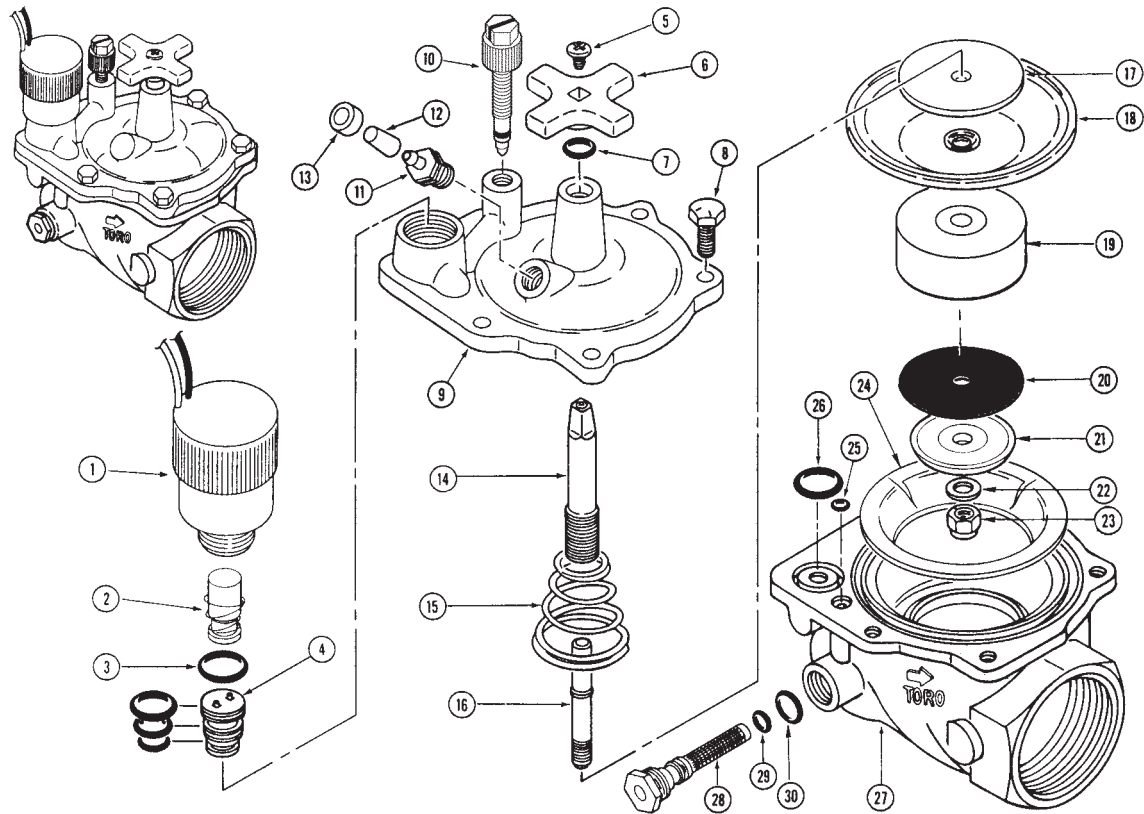
| Item No. | Part No. | Description | Quantity Per Assy. |
|----------|----------|--|--------------------|
| 1 | 89-1673 | Solenoid Assy. | 1 |
| 2 | 35-4717 | Plunger Assy., with Spring, EL | 1 |
| 2 | 35-4609 | Plunger Assy., with Spring, PR | 1 |
| 3 | 360-0220 | O-Ring, 0.070" x 0.551" x 0.691", EL & PR | 1 |
| 4 | 89-5824 | Cap, Valve, EL | 1 |
| 4 | 89-5823 | Cap, Valve, NO. | 1 |
| 4 | 89-5825 | Cap, Valve, PR | 1 |
| 5 | 89-3407 | Actuator Assy., EL (Includes O-Rings) | 1 |
| 6 | 102-0208 | Bleed Screw Assy. | 1 |
| 7 | 360-0498 | Screw, Machine #8-32 x 1/4" | 1 |
| 8 | 9-4527 | Handle, Cross | 1 |
| 9 | 360-0107 | O-Ring, 0.070" x 0.301" x 0.441" | 1 |
| 10 | 89-6507 | Stem, Flow Control, EL & PR (Includes Items 7 & 8) | 1 |
| 11 | *900-24 | Adapter, Poly, NO | 1 |
| 12 | 89-8157 | Cap, Poly, NO Hyd. | 1 |
| 13 | *900-40 | Retainer, Tube, NO & PR | 1 |
| 14 | 360-0595 | Screw, Machine, 1/4-20 x 1/2" | 4 |
| 15 | 9-5146 | Spring, Diaphragm | 1 |
| 16 | 9-5552 | Shaft, Diaphragm | 1 |
| 17 | 9-4562 | Plate, Support, Diaphragm Upper | 1 |
| 18 | 9-4567 | Diaphragm | 1 |
| 19 | 35-2651 | Spacer, Diaphragm | 1 |
| 20 | 35-2857 | Seat | 1 |
| 21 | 35-7214 | Retainer, Seat | 1 |
| 22 | 360-0593 | Nut, #10-24 | 1 |
| 23 | 35-2639 | Support, Diaphragm | 1 |

216 Series, 1 Inch (Sheet 2 of 2)



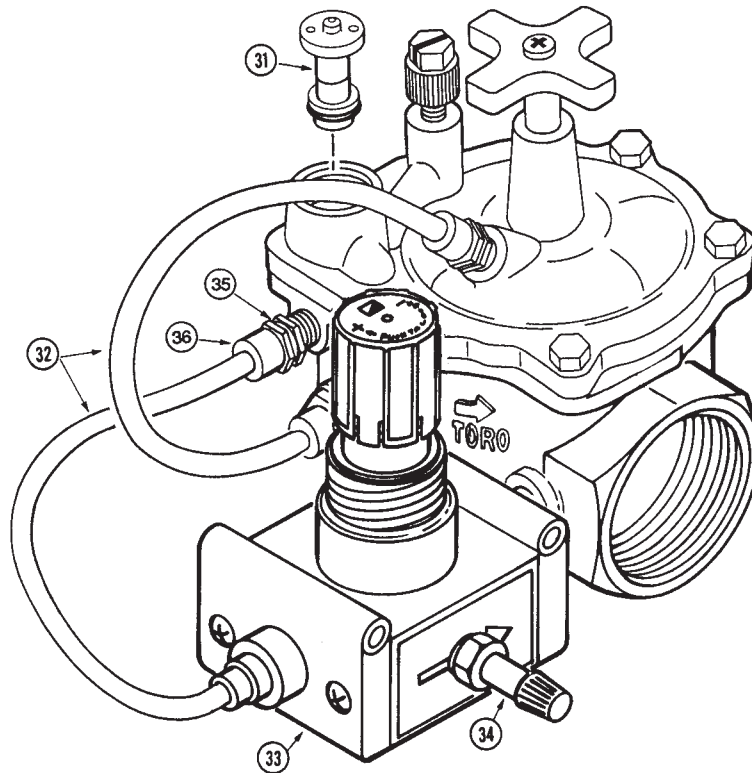
| Item No. | Part No. | Description | Quantity Per Assy. |
|----------|----------|--|--------------------|
| 24 | 35-4953 | Body, Valve, Brass, EL, NPT | 1 |
| 24 | 35-4959 | Body, Valve, Brass, NO, NPT | 1 |
| 24 | 35-5755 | Body, Valve, Brass, EL, BSP | 1 |
| 24 | 35-4963 | Body, Valve, Brass, PR, NPT | 1 |
| 24 | 35-5759 | Body, Valve, Brass, PR, BSP | 1 |
| 24 | 35-5757 | Body, Valve, Brass, NO, BSP | 1 |
| 25 | 360-0530 | O-Ring, 0.070" x 0.145" x 0.285", EL and PR | 1 |
| 26 | 360-0220 | O-Ring, 0.070" x 0.551" x 0.691", EL and PR | 1 |
| 27 | 9-5365 | Filter Assy., EL (Includes Items 28 & 29) | 1 |
| 27 | 35-4619 | Filter Assy., 0.025, Regulator, PR (Includes Item 28) | 1 |
| 28 | 360-0494 | O-Ring, 0.070" x 0.426" x 0.566" | 1 |
| 29 | 360-0497 | O-Ring, 0.070" x 0.239" x 0.379", EL | 1 |
| 30 | 35-5680 | Plug Assy., 2-Way, PR | 1 |
| 31 | 35-6363 | Plug, Communication, PR | 1 |
| 32 | 9-2623 | Tube, 1/4" x 8", PR | 2 |
| 33 | 363-3140 | Regulator, Water Pressure, PR | 1 |
| 34 | 363-1762 | Valve, Schrader, 1/8" NPT, PR | 1 |
| 35 | *900-24 | Adapter, Poly, PR | 1 |
| 36 | *900-40 | Retainer, Tube, PR | 3 |
| N/I | 363-3154 | Nipple, Close, Brass, 1/8" NPT, PR | 1 |
| | | SERVICE ITEMS | |
| | 360-0418 | Petcock, 1/8", NPT | |
| | 9-8581 | Solenoid Assy. EL (Includes Items 1 & 2) | |
| | 35-3099 | Solenoid Assy., PR (Includes Items 1 & 2) | |
| | 9-5359 | Diaphragm Assy. (Includes Items 16-22) | |
| | 89-6406 | Cap Assy., 1", EL (Includes Items 4 and 6-10) | |
| | 89-6407 | Cap Assy., 1", PR (Includes Items 4 and 6-10) | |
| | 89-6408 | Cap Assy., 1", NO (Includes Items 4 and 7-10) | |
| | | * Order Through Finished Goods Distribution System-Minneapolis | |

216 Series, 1.25 and 1.5 Inch (Sheet 1 of 2)



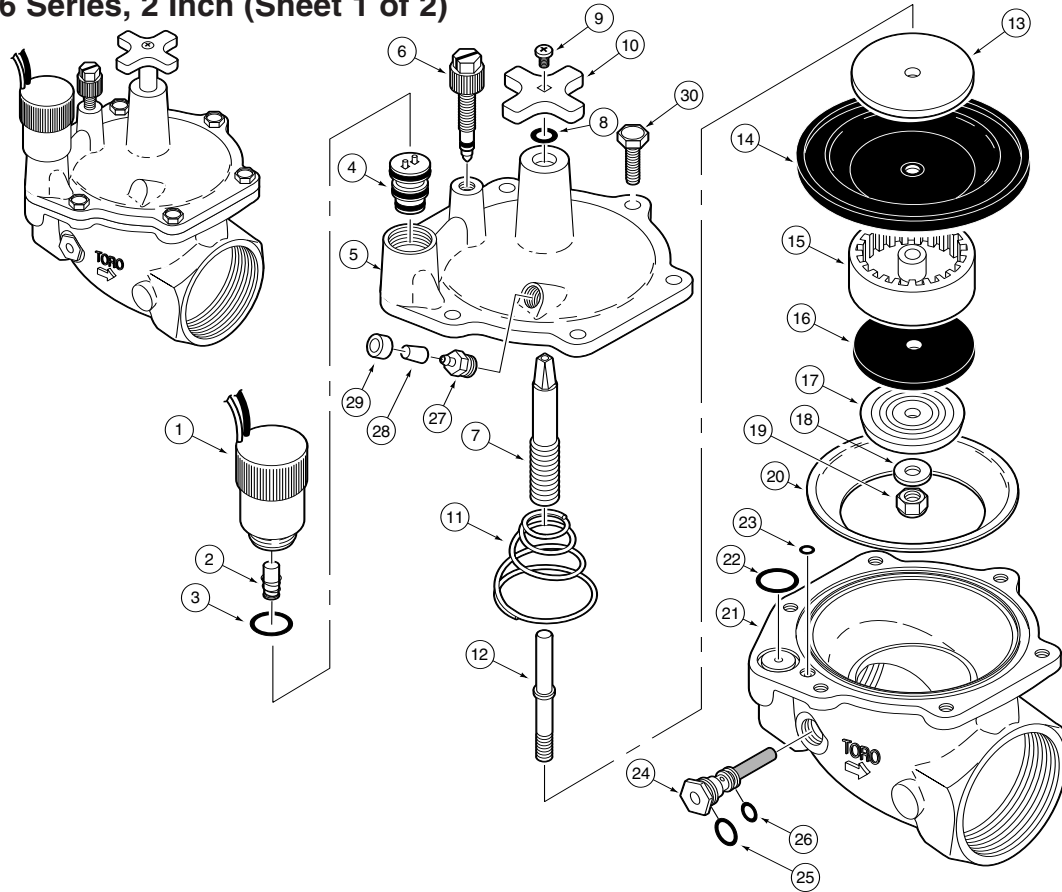
| Item No. | Part No. | Description | Quantity Per Assy. |
|----------|----------|--|--------------------|
| 1 | 89-1673 | Solenoid Assy., | 1 |
| 2 | 35-4717 | Plunger Assy., with Spring, EL | 1 |
| 2 | 35-4609 | Plunger Assy., with Spring, PR | 1 |
| 3 | 360-0220 | O-Ring, 0.070" x 0.551" x 0.691", EL & PR | 1 |
| 4 | 89-3407 | Actuator Assy., EL (Includes O-Rings) | 1 |
| 5 | 360-0498 | Screw, Machine 8-32 x 1/4" | 1 |
| 6 | 9-4527 | Handle, Cross | 1 |
| 7 | 360-0493 | O-Ring, 0.070" x 0.364" x 0.504" | 1 |
| 8 | 360-0499 | Screw, Machine, 1/4-20 x 3/4" | 5 |
| 9 | 89-5827 | Cap, Valve, NO | 1 |
| 9 | 89-5828 | Cap, Valve, EL, | 1 |
| 9 | 89-5829 | Cap, Valve, PR, | 1 |
| 10 | 102-0208 | Bleed Screw Assy., EL and PR (Includes O-Ring) | 1 |
| 11 | *900-24 | Adapter, Poly, NO | 1 |
| 12 | 89-8157 | Cap, Poly., NO | 1 |
| 13 | *900-40 | Retainer, Tube, NO and PR | 1 |
| 14 | 9-4424 | Stem, Flow Control | 1 |
| 15 | 102-0637 | Spring, Diaphragm | 1 |
| 16 | 9-5551 | Shaft, Valve, 1.5" | 1 |
| 17 | 9-5590 | Plate, Support Diaphragm | 1 |
| 18 | 9-4428 | Diaphragm | 1 |
| 19 | 35-2453 | Spacer, Diaphragm | 1 |
| 20 | 9-4420 | Seat | 1 |
| 21 | 9-4419 | Retainer, Seat | 1 |
| 22 | 360-0140 | Washer, Flat, 1/4" | 1 |
| 23 | 360-0594 | Nut, Hex #10-24 | 1 |
| 24 | 35-2452 | Support, Diaphragm | 1 |
| 25 | 360-0530 | O-Ring, 0.070" x 0.145" x 0.285" | 1 |
| 26 | 360-0220 | O-Ring, 0.070" x 0.551" x 0.691", EL & PR | 1 |
| 27 | 89-1868 | Body, Valve, 1-1/4", NO Hyd., NPT | 1 |
| 27 | 89-1871 | Body, Valve, 1-1/4", NO Hyd., BSP | 1 |
| 27 | 89-1869 | Body, Valve, 1-1/4", EL, NPT | 1 |
| 27 | 89-1872 | Body, Valve, 1-1/4", EL, BSP | 1 |

216 Series, 1.25 and 1.5 Inch (Sheet 2 of 2)



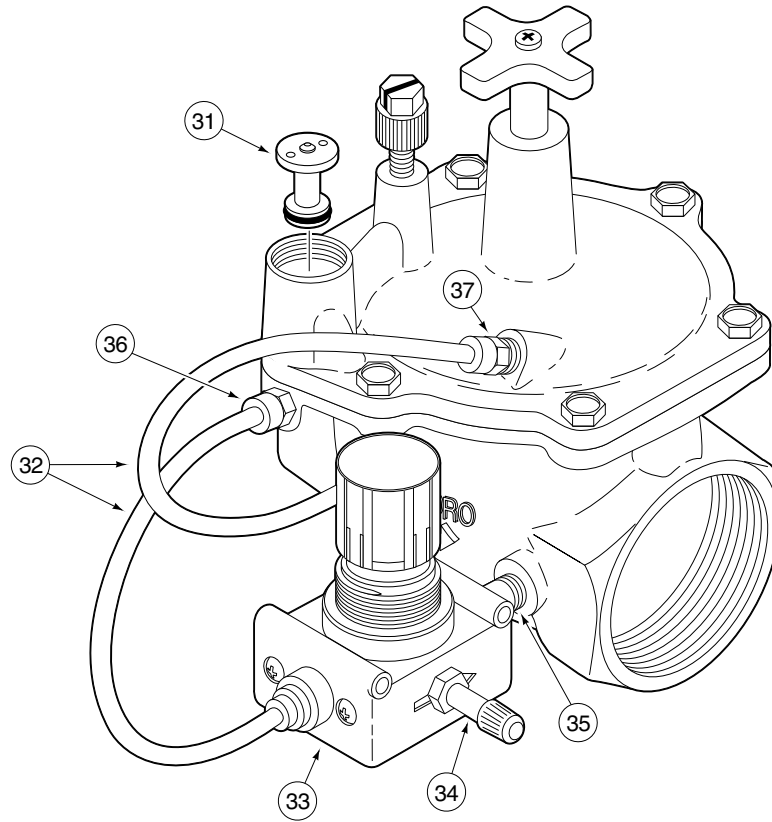
| Item No. | Part No. | Description | Quantity Per Assy. |
|----------|----------|--|--------------------|
| 27 | 89-1870 | Body, Valve, 1.25", PR, NPT | 1 |
| 27 | 89-1873 | Body, Valve, 1.25", PR, BSP | 1 |
| 27 | 35-2731 | Body, Valve, 1.5", NO, NPT | 1 |
| 27 | 35-2733 | Body, Valve, 1.5", NO, BSP | 1 |
| 27 | 35-2730 | Body, Valve, 1.5", EL, NPT | 1 |
| 27 | 35-2732 | Body, Valve, 1.5", EL, BSP | 1 |
| 27 | 35-2840 | Body, Valve, 1.5", PR, NPT | 1 |
| 27 | 35-4839 | Body, Valve, 1.5", PR, BSP | 1 |
| 28 | 9-5365 | Filter Assy., EL (Includes Items 29 & 30) | 1 |
| 28 | 35-4619 | Filter Assy., PR (Includes Item 29) | 1 |
| 29 | 360-0497 | O-Ring, 0.070" x 0.239" x 0.375", EL | 1 |
| 30 | 360-0494 | O-Ring, 0.070" x 0.426" x 0.566" | 1 |
| 31 | 35-5680 | Plug Assy., 2-Way, PR | 1 |
| 32 | 9-2623 | Tube, 1/4"x 8", PR | 2 |
| 33 | 363-3140 | Regulator Assy., Pressure, PR | 1 |
| 34 | 363-1762 | Valve Assy., Schrader, 1/8" NPT, PR | 1 |
| 35 | *900-24 | Adapter, Poly, PR | 1 |
| 36 | *900-40 | Retainer, Tube, PR | 3 |
| N/I | 363-1760 | Nipple, Close, Brass, 1/8" NPT, PR | 1 |
| | | SERVICE ITEMS | |
| | 360-0418 | Petcock, 1/8" NPT | |
| | 35-3099 | Solenoid Assy., 1.25", PR (Includes Items 1 & 2) | |
| | 9-8581 | Solenoid Assy., 1.25", EL (Includes Items 1 & 2) | |
| | 9-5361 | Diaphragm Assy. (Includes Items 16-23) | |
| | 102-0637 | Spring, Diaphragm, 1.5" | |
| | 89-6381 | Cap Assy., EL, Svc. (Includes Items 5-7 and 14) | |
| | 89-6382 | Cap Assy., PR, Svc. (Includes Items 5-7 and 14) | |
| | 89-6383 | Cap Assy., NO, Svc. (Includes Items 5-7 and 14) | |
| | | * Order Through Finished Goods Distribution System—Minneapolis | |

216 Series, 2 Inch (Sheet 1 of 2)



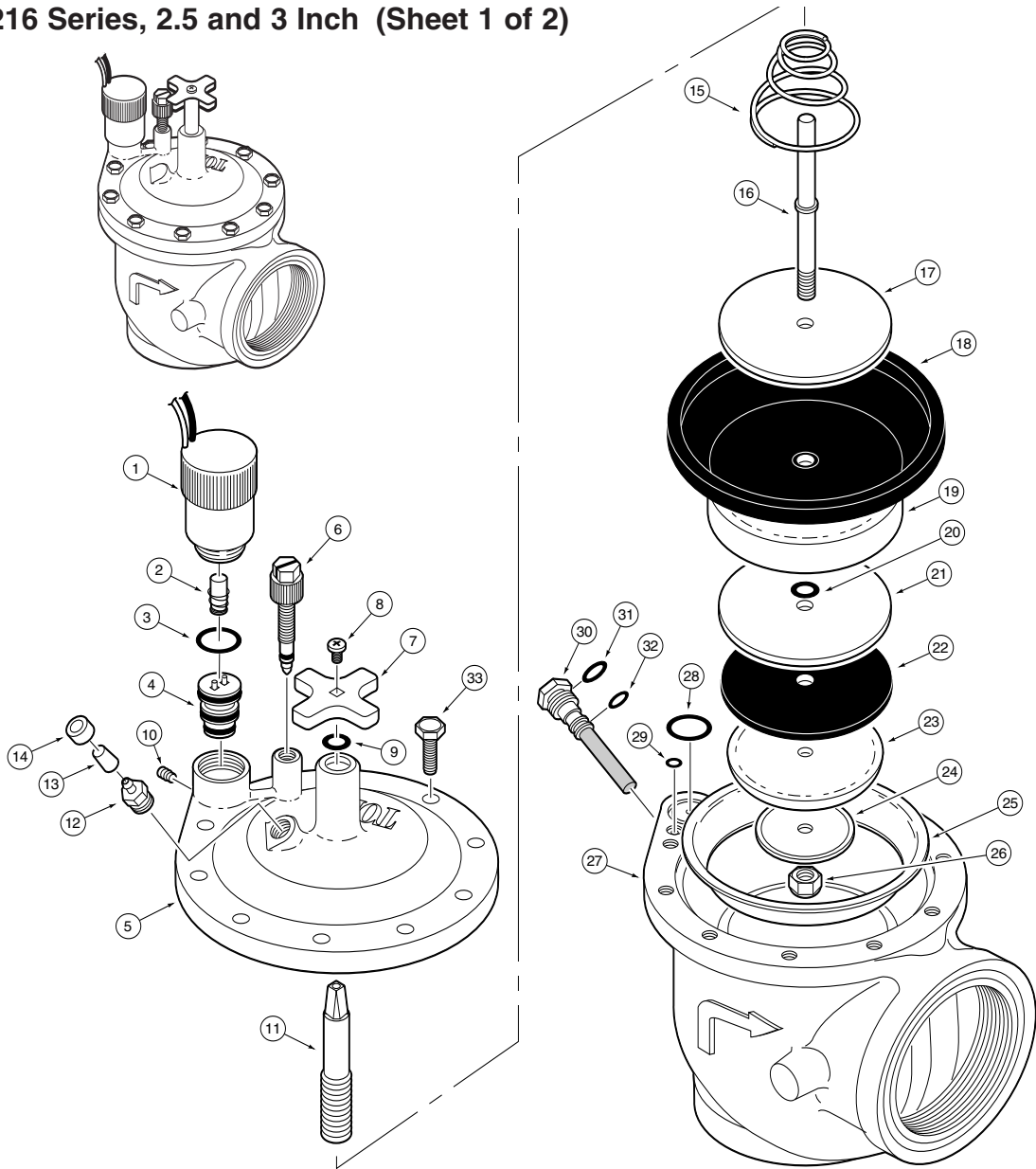
| Item No. | Part No. | Description | Quantity Per Assy. |
|----------|----------|--|--------------------|
| 1 | 89-1673 | Solenoid Assy., EL & PR | 1 |
| 2 | 35-4717 | Plunger Assy. w/Spring, EL | 1 |
| 2 | 35-4609 | Plunger Assy. w/Spring, PR | 1 |
| 3 | 360-0220 | O-Ring, 0.070" x 0.551" x 0.691", EL & PR | 1 |
| 4 | 89-3407 | Actuator Assy., EL (Includes O-Rings) | 1 |
| 5 | 89-5832 | Cap, Valve, EL (Post-10/93) | 1 |
| 5 | 89-5831 | Cap, Valve, NO Hyd. | 1 |
| 5 | 89-5833 | Cap, Valve, PR (Post-10/93) | 1 |
| 6 | 102-0208 | Bleed Screw Assy., EL & PR (Includes O-Ring) | 1 |
| 7 | 9-4543 | Shaft, Flow Control | 1 |
| 8 | 360-0493 | O-Ring, 0.070" x 0.364" x 0.504" | 1 |
| 9 | 360-0498 | Screw, Machine 8-32 x 1/4" | 1 |
| 10 | 9-4527 | Handle, Cross | 1 |
| 11 | 89-1652 | Spring, Diaphragm | 1 |
| 12 | 9-7534 | Shaft, Diaphragm | 1 |
| 13 | 35-3139 | Plate, Support Diaphragm, Upper | 1 |
| 14 | 9-4542 | Diaphragm, 2" | 1 |
| 15 | 35-3141 | Spacer, Diaphragm | 1 |
| 16 | 35-3142 | Seat | 1 |
| 17 | 9-4536 | Retainer, Seat | 1 |
| 18 | 360-0140 | Washer, Flat, 1/4" | 1 |
| 19 | 360-0594 | Nut, Hex 1/4-20 | 1 |
| 20 | 9-4541 | Plate, Support, Diaphragm | 1 |
| 21 | 35-3110 | Body, Valve, EL, NPT | 1 |
| 21 | 35-3111 | Body, Valve, NO, NPT | 1 |
| 21 | 35-4841 | Body, Valve, EL, BSP | 1 |
| 21 | 35-4843 | Body, Valve, NO, BSP | 1 |
| 21 | 35-3112 | Body, Valve, PR, NPT | 1 |
| 21 | 35-4844 | Body, Valve, PR, BSP | 1 |
| 22 | 360-0220 | O-Ring, 0.070" x 0.551" x 0.691", EL & PR | 1 |
| 23 | 360-0530 | O-Ring, 0.070" x 0.145" x 0.285", EL & PR | 1 |

216 Series, 2 Inch (Sheet 2 of 2)



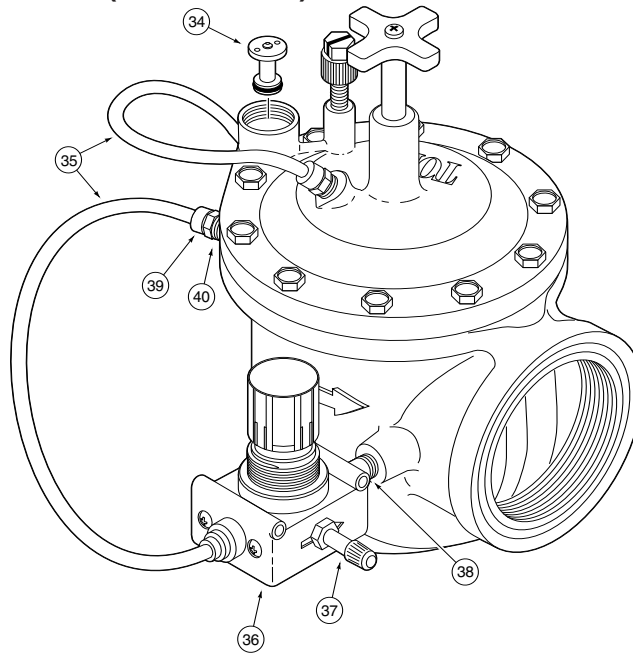
| Item No. | Part No. | Description | Quantity Per Assy. |
|----------|----------|--|--------------------|
| 24 | 9-7681 | Filter Assy., EL (Includes Items 25 & 26) | 1 |
| 24 | 35-4619 | Filter Assy., PR (Includes Item 25) | 1 |
| 25 | 360-0494 | O-Ring, 0.070" x 0.426" x 0.566", EL & PR | 1 |
| 26 | 360-0497 | O-Ring, 0.070" x 0.239" x 0.379", EL | 1 |
| 27 | *900-24 | Adapter, Poly, NO & PR | 1 |
| 28 | 89-8157 | Cap, Poly 1/4", Hyd. | 1 |
| 29 | *900-40 | Retainer, Tube | 1 |
| 30 | 360-0499 | Screw, Machine, 1/4-20 x 3/4" | 6 |
| 31 | 35-5680 | Plug Assy., 2-Way, PR | 1 |
| 32 | 9-2623 | Tube, 1/4" x 8", PR | 2 |
| 33 | 363-3140 | Regulator, Pressure, Brass Valve, PR | 1 |
| 34 | 363-1762 | Valve Assy., Schrader, 1/8" NPT, PR, | 1 |
| 35 | 363-3154 | Nipple, Close, Brass, 1/8" NPT, PR | 1 |
| 36 | *900-40 | Retainer, Tube, PR | 3 |
| 37 | *900-24 | Adapter, Poly, PR | 2 |
| | | SERVICE ITEMS | |
| | 360-0418 | Petcock, 1/2" NPT | |
| | 35-3099 | Solenoid Assy., PR (Includes Items 1 & 2) | |
| | 9-8581 | Solenoid Assy. (Includes Items 1 & 2) | |
| | 9-5363 | Diaphragm Assy. (Includes Items 12-19) | |
| | 35-4892 | Regulator Assy., PR (Includes Items 33-35) | |
| | 89-6384 | Cap Assy., EL, Svc. (Includes Items 5-10) | |
| | 89-6385 | Cap Assy., PR, Svc. (Includes Items 5-10) | |
| | 89-6386 | Cap Assy., NO, Svc. (Includes Items 5 and 7-10) | |
| | | * Order Through Finished Goods Distribution System-Minneapolis | |

216 Series, 2.5 and 3 Inch (Sheet 1 of 2)



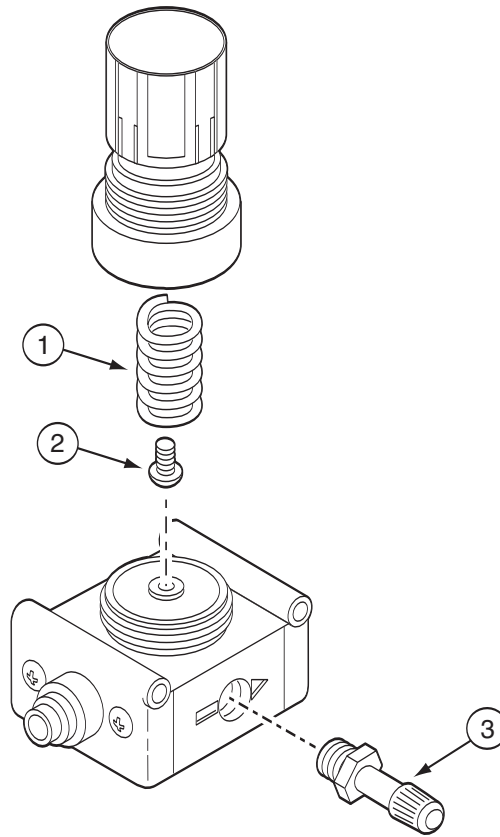
| Item No. | Part No. | Description | Quantity Per Assy. |
|----------|----------|---|--------------------|
| 1 | 89-1673 | Solenoid Assy. EL& PR | 1 |
| 2 | 35-4717 | Plunger Assy. w/Spring, EL | 1 |
| 2 | 35-4609 | Plunger Assy. w/Spring, PR | 1 |
| 3 | 360-0220 | O-Ring, 0.070" x 0.551" x 0.691", EL & PR | 1 |
| 4 | 89-3407 | Actuator Assy., EL (Includes O-Rings) | 1 |
| 5 | 89-5835 | Cap, Valve, NO, Shallow Diaphragm Groove (Post-10/93) | 1 |
| 5 | 89-5836 | Cap, Valve, EL, Shallow Diaphragm Groove (Post-10/93) | 1 |
| 5 | 89-5837 | Cap, Valve, PR, Shallow Diaphragm Groove,(Post-10/93) | 1 |
| 6 | 102-0208 | Bleed Screw Assy., EL & PR (Includes O-Ring) | 1 |
| 7 | 9-4527 | Handle, Cross | 1 |
| 8 | 360-0498 | Screw, Machine 8-32 x 1/4" | 1 |
| 9 | 360-0493 | O-Ring, 0.070" x 0.364" x 0.504" | 1 |
| 10 | 360-0223 | Screw, Set, Half-dog Point, 6-32 x 1/4", EL and PR | 1 |
| 11 | 9-4543 | Shaft, Flow Control | 1 |
| 12 | *900-24 | Adapter, Poly, NO and PR | 1 |
| 13 | 89-8157 | Cap, Poly 1/4", NO | 1 |
| 14 | *900-40 | Retainer, Tube, NO | 1 |
| 15 | 89-1744 | Spring, Diaphragm | 1 |
| 16 | 9-7534 | Shaft, Diaphragm | 1 |

216 Series, 2.5 and 3 Inch (Sheet 2 of 2)



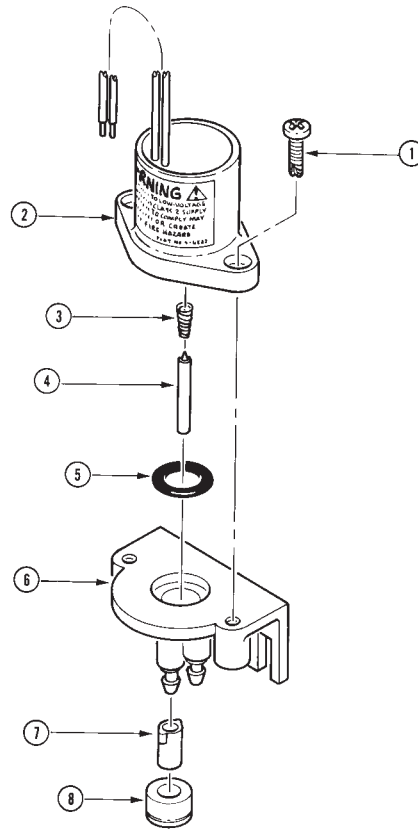
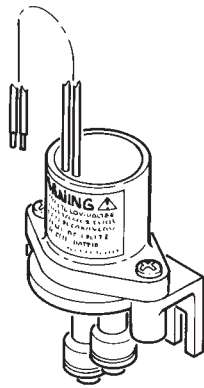
| Item No. | Part No. | Description | Quantity Per Assy. |
|----------|----------|--|--------------------|
| 17 | 9-7412 | Plate, Support Diaphragm, Upper | 1 |
| 18 | 89-7866 | Diaphragm, Shallow Groove (Post-10/93) | 1 |
| 18 | 89-9433 | Diaphragm, (Includes Item 25) | 1 |
| 19 | 35-1403 | Spacer, Diaphragm | 1 |
| 20 | 360-0497 | O-Ring, 0.070" x 0.239" x 0.379" | 1 |
| 21 | 35-1401 | Support, Seat | 1 |
| 22 | 35-1402 | Seat | 1 |
| 23 | 35-1410 | Retainer, Seat | 1 |
| 24 | 9-4415 | Washer Retainer | 1 |
| 25 | 89-8126 | Support, Diaphragm | 1 |
| 26 | 360-0594 | Nut, Hex 1/4-20 x 3/4" | 1 |
| 27 | 89-6389 | Body, Valve, 2.5", NO, Shallow Diaphragm Groove (Post-10/93) | 1 |
| 27 | 89-6390 | Body, Valve, 3", NO, Shallow Diaphragm Groove (Post-10/93) | 1 |
| 27 | 89-6391 | Body, Valve, 2.5", EL, Shallow Diaphragm Groove (Post-10/93) | 1 |
| 27 | 89-6392 | Body, Valve, 3", EL, Shallow Diaphragm Groove (Post-10/93) | 1) |
| 27 | 89-6388 | Body, Valve, 2.5", PR, Shallow Diaphragm Groove (Post-10/93) | 1 |
| 27 | 89-6387 | Body, Valve, 3", PR, Shallow Diaphragm Groove (Post-10/93) | 1 |
| 28 | 360-0220 | O-Ring, .070" x 0.551" x 0.691", EL & PR | 1 |
| 29 | 360-0530 | O-Ring, .070" x 0.145" x 0.285", EL & PR | 1 |
| 30 | 9-7681 | Filter Assy., EL (Includes Items 31 & 32) | 1 |
| 30 | 35-4931 | Filter Assy., PR (Includes Items 31) | 1 |
| 31 | 360-0494 | O-Ring, 0.070" x 0.426" x 0.566", EL & PR | 1 |
| 32 | 360-0497 | O-Ring, 0.070" x 0.239" x 0.379", EL | 1 |
| N/I | 9-8011 | Tube, Discharge, EL | 1 |
| 33 | 360-0499 | Screw, Machine, 1/4-20 x 3/4" | 10 |
| 34 | 35-5680 | Plug Assy., 2-Way, PR | 1 |
| 36 | 363-3140 | Regulator Assy., Pressure, PR | 1 |
| 37 | 363-1762 | Valve Assy., Schrader, 1/8" NPT, PR | 1 |
| 38 | 363-3154 | Nipple, Brass Close, 1/8" NPT, PR | 1 |
| 35 | 9-2623 | Tube, 1/4" x 8", PR | 2 |
| 39 | *900-40 | Retainer, Tube, PR | 3 |
| 40 | 3-3362 | Adapter, Poly 1/8" x 1/4", NO | 1 |
| | | SERVICE ITEMS | |
| | 360-0418 | Petcock, 1/8" NPT | |
| | 35-3099 | Solenoid Assy., PR (Includes Items 1 & 2) | |
| | 9-8581 | Solenoid Assy., EL (Includes Items 1 & 2) | |
| | 35-4892 | Regulator Assy., Valve, PR (Includes Items 36-38) | |
| | 89-6418 | Cap Assy., EL, Shallow Diaphragm Groove (Post-10/93) (Includes Items 5-11) | |
| | 89-6417 | Cap Assy., NO, Shallow Diaphragm Groove (Post-10/93) (Includes Items 5 and 7-11) | |
| | 89-6419 | Cap Assy., PR, Shallow Diaphragm Groove (Post-10/93) (Includes Items 5-11) | |
| | 89-4825 | Diaphragm w/Retrofit Seal, Deep Groove (Pre-10/93) | |
| | 89-6420 | Diaphragm Assy. w/Retrofit Seal, Deep Groove (Pre-10/93) (Includes Items 16-26) | |
| | 89-6421 | Diaphragm Assy., Shallow Groove (Post-10/93) (Includes Items 16-26) | |
| | | * Order Through Finished Goods Distribution System-Minneapolis | |

Pressure Regulator



| Item No. | Part No. | Description | Quantity Per Assy. |
|----------|----------|---------------------------|--------------------|
| 1 | 363-3498 | Spring | 1 |
| 2 | 363-3499 | Screw | 1 |
| 3 | 363-1762 | Valve, Schrader, 1/8" NPT | 1 |

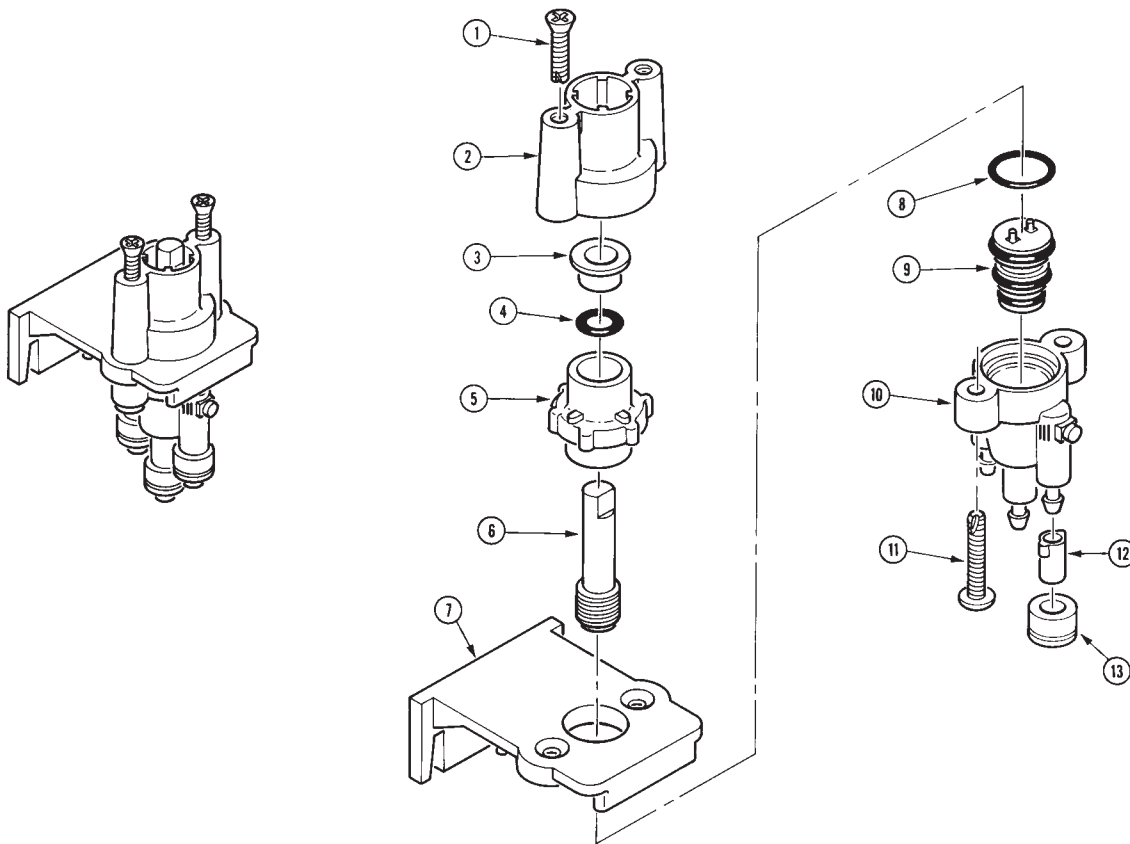
2-Way Pilot Valve



| Item No. | Part No. | Description | Quantity Per Assy. |
|----------|----------|-------------------------------------|--------------------|
| 1 | 360-0715 | Screw, Tap, #10 | 2 |
| 2 | 89-0878 | Solenoid Assy. (Includes Items 2–4) | 1 |
| 3 | 9-6148 | Spring, Plunger, Solenoid | 1 |
| 4 | 9-6527 | Plunger Assy. | 1 |
| 5 | 2-9652 | O-Ring, 7/16" x 5/8" | 1 |
| 6 | 9-8280 | Body Assy., Valve | 1 |
| 7 | 89-8157 | Cap, Poly | 2 |
| 8 | *900-40 | Retainer, Tube | 2 |

* Order Through Finished Goods Distribution System—Minneapolis

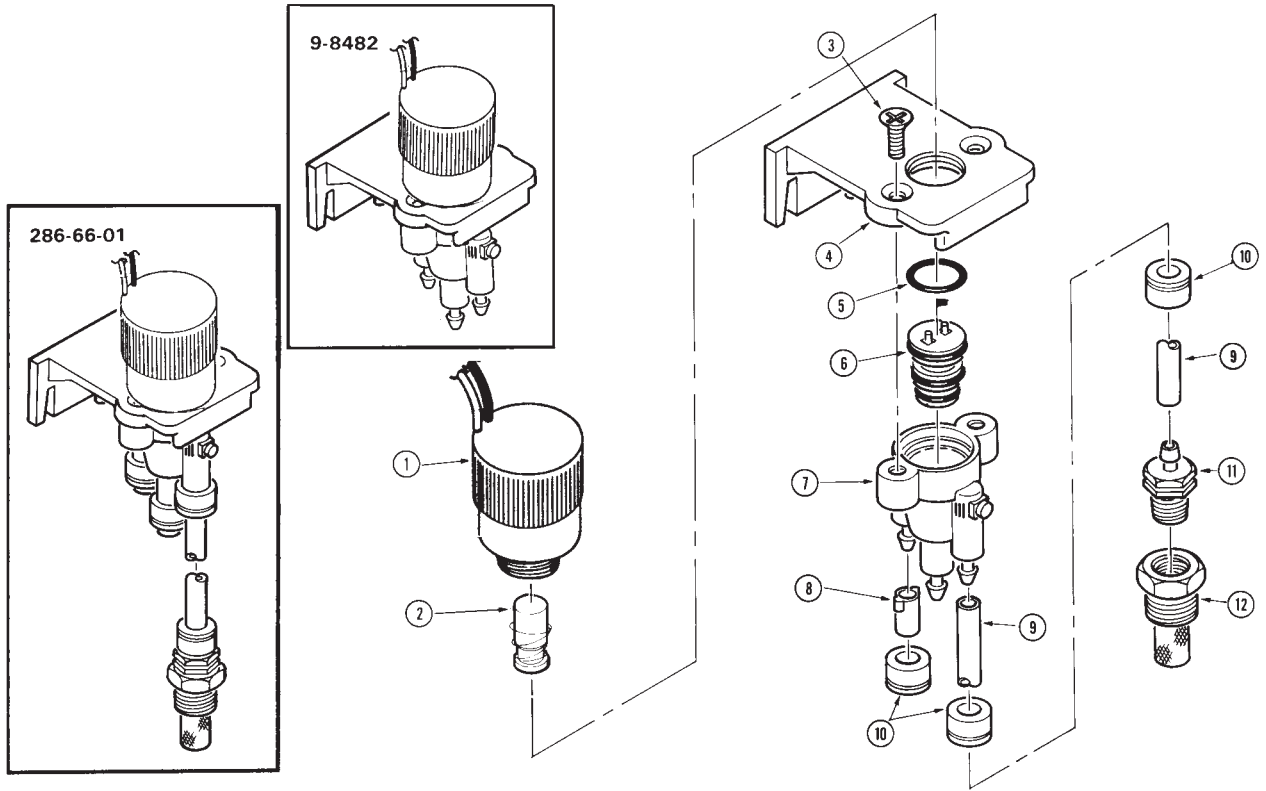
Manual Actuator



| Item No. | Part No. | Description | Quantity Per Assy. |
|----------|----------|----------------------------------|--------------------|
| 1 | 360-0561 | Screw, Tap, #8 | 2 |
| 2 | 9-7803 | Adapter (Includes Item 3) | 1 |
| 3 | 9-7800 | Retainer, O-Ring | 1 |
| 4 | 2-9652 | O-Ring, 7/16" x 5/8" | 1 |
| 5 | 9-7799 | Cap | 1 |
| 6 | 9-7798 | Stem, Control | 1 |
| 7 | 9-8055 | Bracket, Mounting | 1 |
| 8 | 360-0220 | O-Ring, 0.070" x 0.551" x 0.691" | 1 |
| 9 | 89-3407 | Actuator Assy. | 1 |
| 10 | 35-0992 | Body Assy., Pilot Valve | 1 |
| 11 | 363-1244 | Screw, Tap, #8 | 2 |
| 12 | 89-8157 | Cap, Poly | 3 |
| 13 | *900-40 | Retainer, Tube | 3 |

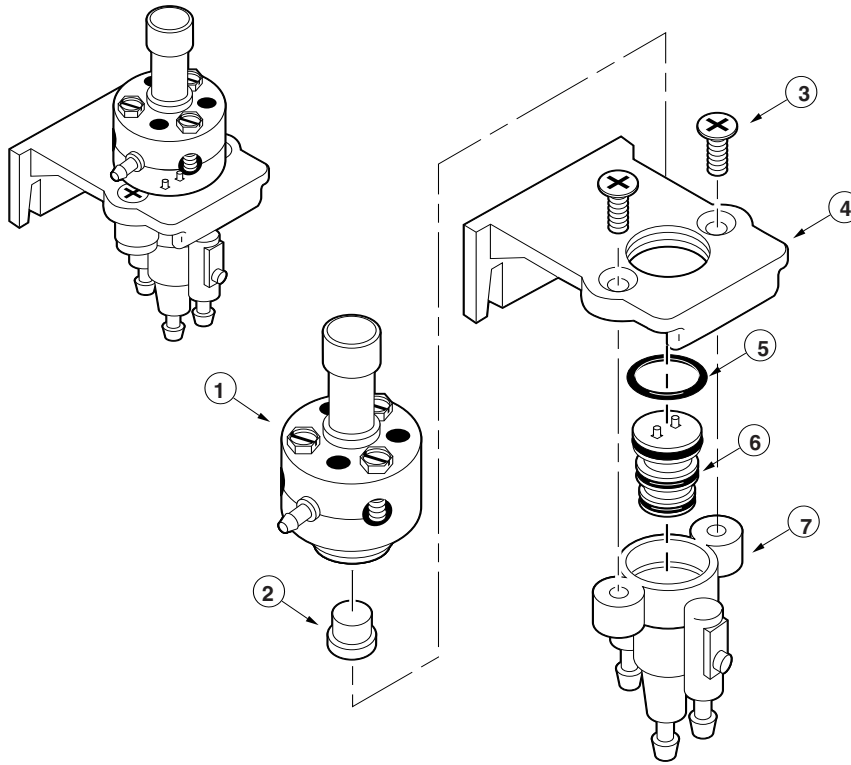
* Order Through Finished Goods Distribution System—Minneapolis

3-Way Actuator



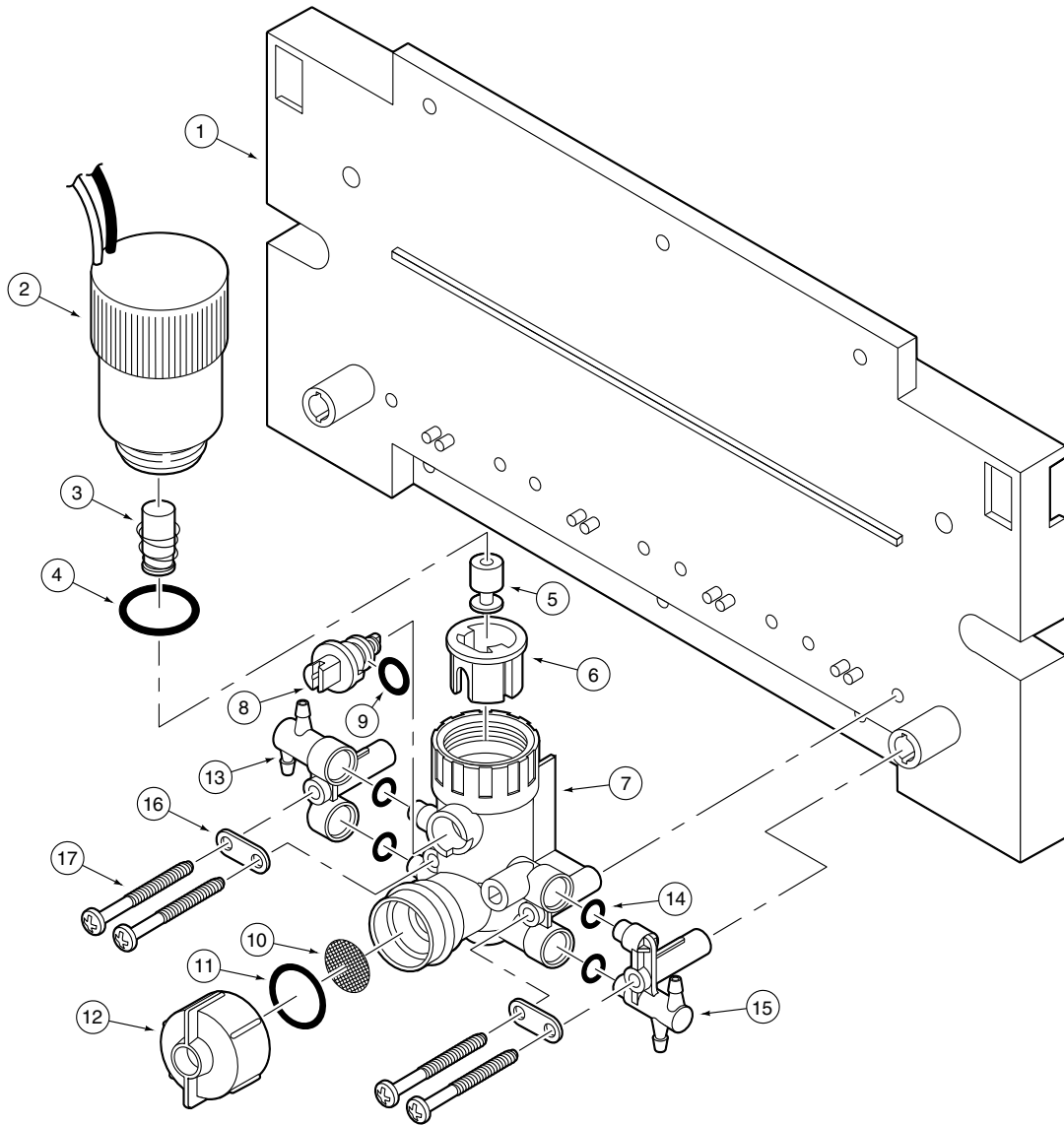
| Item No. | Part No. | Description | Quantity Per Assy. |
|----------|----------|--|--------------------|
| 1 | 89-1673 | Solenoid Assy. | 1 |
| 2 | 35-4717 | Plunger Assy. | 1 |
| 3 | 363-1030 | Screw, Machine, 10-24 x 1/2" | 2 |
| 4 | 9-8055 | Bracket, Mounting | 1 |
| 5 | 360-0220 | O-Ring, 0.070" x 0.551" x 0.691" | 1 |
| 6 | 89-3407 | Actuator Assy. | 1 |
| 7 | 35-0992 | Body Assy., Pilot Valve (Used with 286-66-01) | 1 |
| 7 | 35-7153 | Body Assy., Pilot Valve (Used with 9-8482) | 1 |
| 8 | 89-8157 | Cap, Poly (Used with 286-66-01) | 1 |
| 9 | 9-1482 | Tube, 1/4" x 36" (Used with 286-66-01) | 1 |
| 10 | *900-40 | Retainer, Tube (Used with 286-66-01) | 3 |
| 11 | 89-8157 | Adapter, Poly (Used with 286-66-01) | 1 |
| 12 | 995-14 | Fitting, Screen, Supply (Used with 286-66-01) | 1 |
| | | SERVICE ITEMS | |
| | 35-4603 | Kit, Service Assy. (Includes Items 3–7) (Used with 286-66-01) | |
| | 35-4602 | Kit, Service Assy. (Includes Items 3–7) (Used with 9-8482) | |
| | | * Order Through Finished Goods Distribution System—Minneapolis | |

3-Way Actuator, Normally Closed



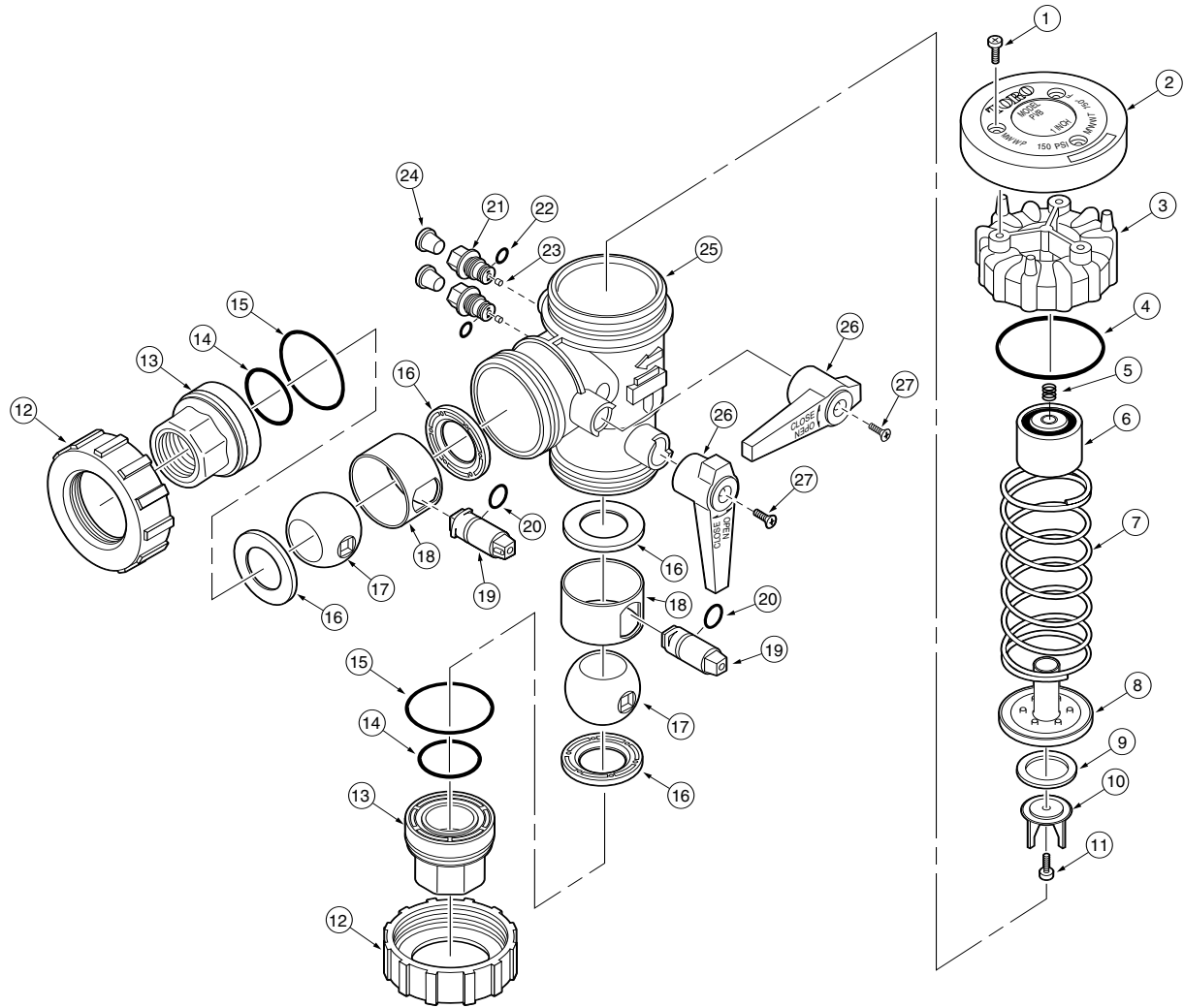
| Item No. | Part No. | Description | Quantity Per Assy. |
|----------|----------|---|--------------------|
| 1 | 89-6005 | Adapter, Pilot Valve, NC | 1 |
| 2 | 89-7869 | Shuttle | 1 |
| 3 | 363-1030 | Screw, Machine, 10-24 x 1/2" | 2 |
| 4 | 9-8055 | Bracket, Mounting | 1 |
| 5 | 360-0220 | O-Ring, 0.070" x 0.551" x 0.691" | 1 |
| 6 | 89-3407 | Actuator Assembly (Includes O-Rings) | 1 |
| 7 | 35-7153 | Body Assy., Pilot Valve | 1 |
| | | SERVICE ITEMS | |
| | 35-4603 | Kit, Service Assy. (Includes Items 3–8) | |

Electric-Hydraulic Converter Module Assembly



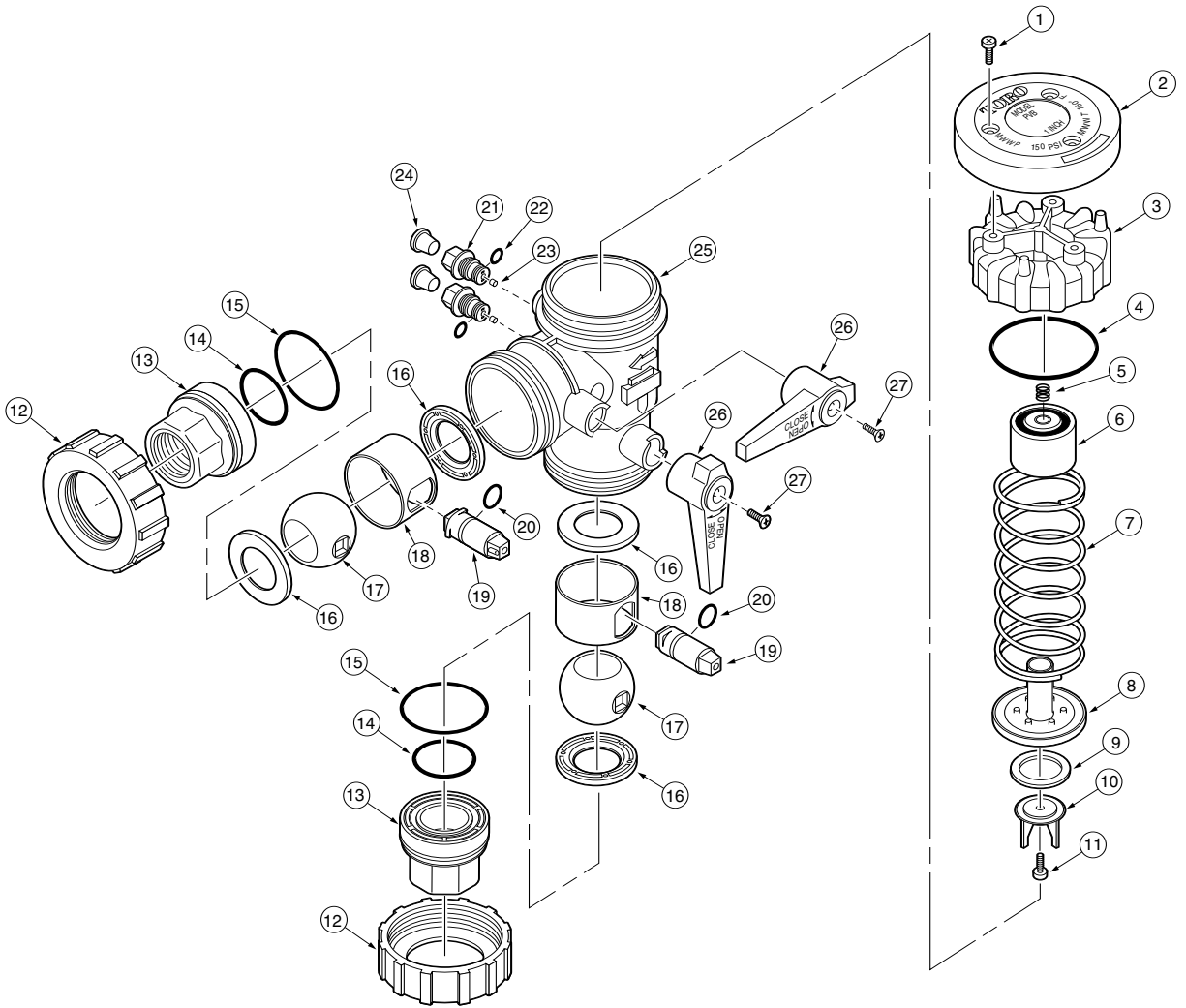
| Item No. | Part No. | Description | Quantity Per Assy. |
|----------|----------|--|--------------------|
| 1 | 89-1662 | Baseplate | 1 |
| 2 | 89-5985 | Solenoid Assy. | 4 |
| 3 | 35-4717 | Plunger Assy. | 4 |
| 4 | 360-0220 | O-Ring | 4 |
| 5 | 91-1497 | Plunger, Shuttle | 4 |
| 6 | 89-1627 | Sleeve | 4 |
| 7 | 89-8203 | Body Assy., NO with Blue Pins on Actuator | 4 |
| 7 | 89-8204 | Body Assy., NC with Green Pins on Actuator | 4 |
| 8 | 89-8131 | Stem, Manual, NO (Blue) | 4 |
| 8 | 89-8130 | Stem, Manual, NC (Green) | 4 |
| 9 | 360-0497 | O-Ring | 4 |
| 10 | 89-0371 | Screen, Filter | 4 |
| 11 | 360-0402 | O-Ring | 4 |
| 12 | 89-1635 | Cap, Filter | 4 |
| 12 | 89-8205 | Cap Assy., Blind | 4 |
| 13 | 89-1665 | Tee, Female | 1 |
| 14 | 2-9654 | O-Ring | 10 |
| 15 | 89-1666 | Tee, Male | 1 |
| 16 | 89-1675 | Strap, Tie | 2 |
| 17 | 363-3158 | Screw, #6 x 1.25" | 7 |

Pressure Vacuum Breaker (Sheet 1 of 2)



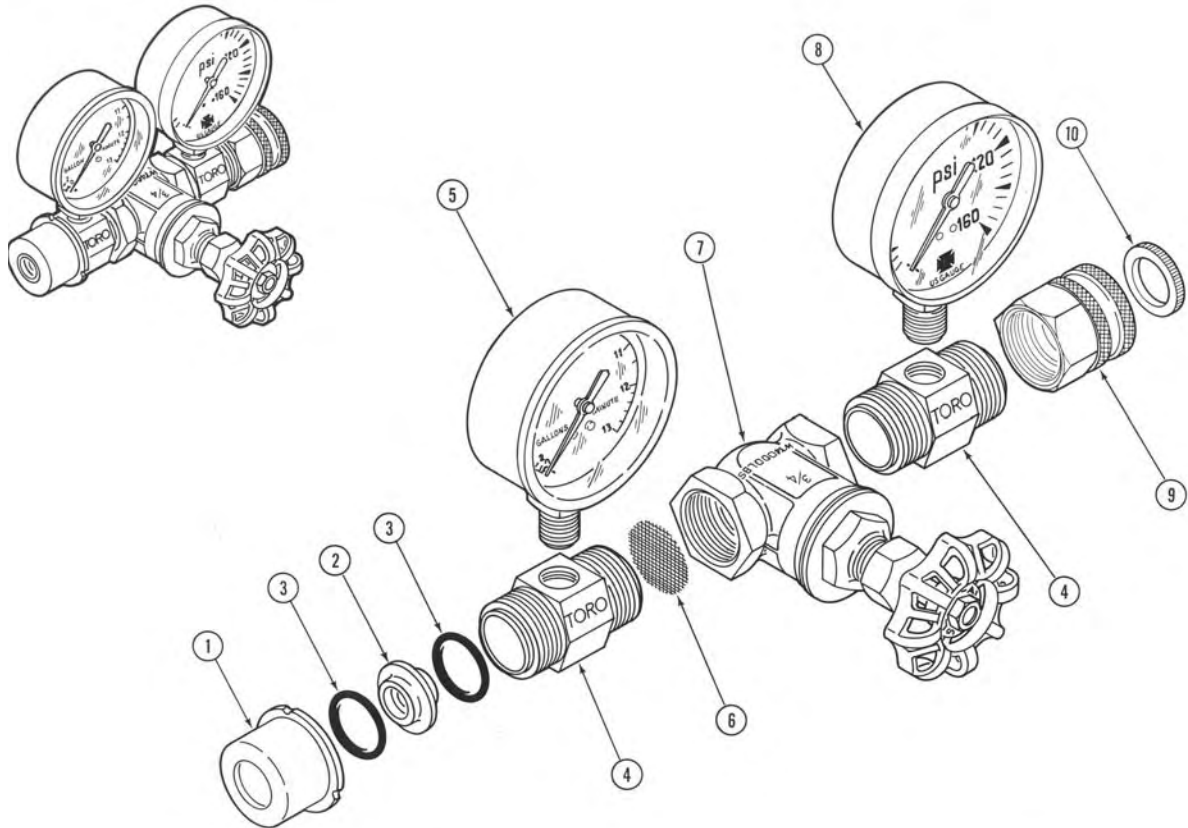
| Item No. | Part No. | Description | Quantity Per Assy. |
|----------|----------|--|--------------------|
| 1 | 360-0715 | Screw, Tap, #10, PHFH, SST | 3 |
| 2 | 89-5809 | Cover, 3/4" | 1 |
| 2 | 89-5808 | Cover, 1" | 1 |
| 3 | 89-6019 | Cap | 1 |
| 4 | 400-0261 | O-Ring | 1 |
| 5 | 80-0528 | Spring, Float Release | 1 |
| 6 | ----- | Core, Float | 1 |
| 7 | 80-0527 | Spring | 1 |
| 8 | ----- | Valve, Check (See Service Item 80-0553, p. 125) | 1 |
| 9 | ----- | Disc (See Service Item 80-0553, p. 125) | 1 |
| 10 | ----- | Guide (See Service Item 80-0553, p. 125) | 1 |
| 11 | 363-1444 | Screw, Tap, #6, PHPH, SST | 1 |
| 12 | 89-5810 | Nut, Union | 2 |
| 13 | 89-6012 | Union Adapter Assy., 3/4" S x S (Includes Item 14) | 1 |
| 13 | 89-6013 | Union Adapter Assy., 3/4" NPT (Includes Item 14) | 1 |
| 13 | 89-6014 | Union Adapter Assy., 1" S x S (Includes Item 14) | 1 |
| 13 | 89-6015 | Union Adapter Assy., 1" NPT (Includes Item 14) | 1 |
| 13 | 89-6016 | Union Adapter Assy., 1" BSP (Includes Item 14) | 1 |
| 14 | 360-0155 | O-Ring | 2 |
| 15 | 363-1418 | O-Ring | 2 |
| 16 | 80-0211 | Seal | 4 |
| 17 | 89-5812 | Ball | 2 |
| 18 | 80-0209 | Ring, Valve | 2 |
| 19 | 80-0552 | Stem | 2 |

Pressure Vacuum Breaker (Sheet 2 of 2)



| Item No. | Part No. | Description | Quantity Per Assy. |
|----------------------|----------|---|--------------------|
| 20 | 360-0402 | O-Ring | 2 |
| 21 | 89-4727 | Test Cock | 2 |
| 22 | 360-0107 | O-Ring | 2 |
| 23 | 89-4728 | Seal, Test Cock | 2 |
| 24 | 363-1415 | Plug, 1/8" NPT | 2 |
| 25 | 89-5879 | Body, PVB | 1 |
| 26 | 80-0125 | Handle | 2 |
| 27 | 363-1030 | Screw | 2 |
| SERVICE ITEMS | | | |
| | 80-0553 | Check Valve Assy. (Includes Items 8–11) | |
| | 89-5878 | Assy., Test Cock (Includes Items 21–24) | |
| | 89-5879 | Assy., Body (Includes Items 16–25) | |
| | 89-5880 | Kit, Union Adapter, 3/4" S x S (Includes Items 12–15) | |
| | 89-5881 | Kit, Union Adapter, 3/4" NPT (Includes Items 12–15) | |
| | 89-5882 | Kit, Union Adapter, 1" S x S (Includes Items 12–15) | |
| | 89-5883 | Kit, Union Adapter, 1" NPT (Includes Items 12–15) | |
| | 89-5884 | Kit, Union Adapter, 1" BSP (Includes Items 12–15) | |
| | 89-6006 | Kit, Float Assy. (Includes Items 3–6) | |

Flow Gauge, Model 995-01



| Item No. | Part No. | Description | Quantity Per Assy. |
|----------|----------|------------------------|--------------------|
| 1 | 9-4576 | Threaded Insert – 3/4" | 1 |
| 2 | 5-311 | Orifice Plate | 1 |
| 3 | 360-0596 | O-Ring | 2 |
| 4 | 9-6023 | Nipple | 2 |
| 5 | 5-309 | Flow Gauge | 1 |
| 6 | 5-307 | Filter Screen | 1 |
| 7 | 5-301 | Gate Valve – 3/4" | 1 |
| 8 | 5-308 | Pressure Gauge | 1 |
| 9 | 5-303 | Hose to Pipe Fitting | 1 |
| 10 | 5-401 | Hose Washer – 3/4" | 1 |